

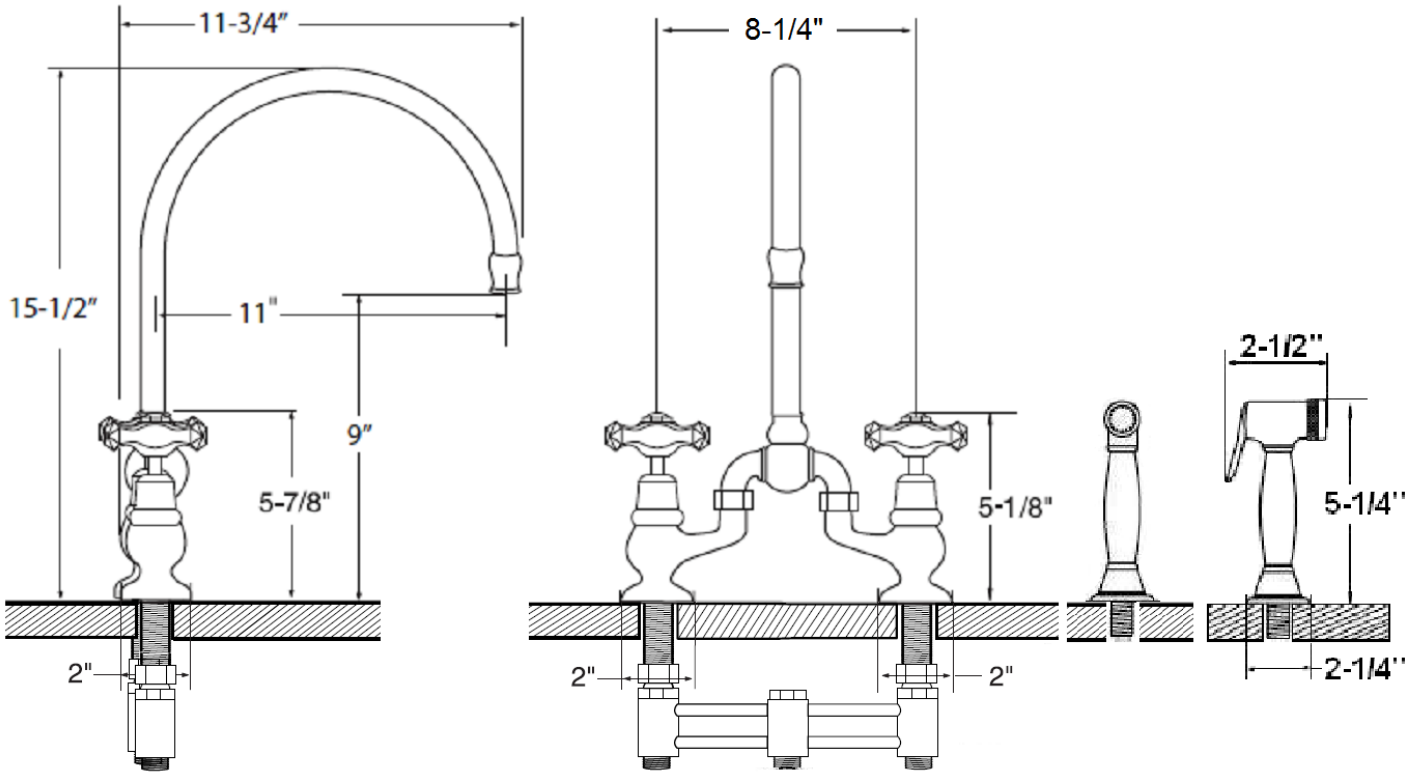


PRODUCT SPECIFICATIONS

Brownstone with Large Swiveling Spout & Side Spray

BS-DM-LG-W/SP

Jan 2014



- ADA Compliant
- Custom finishes available

Connection	1/2" Compression
Valve	1/2" Ceramic
GPM	1.5