



PRODUCT SPECIFICATIONS

Floor Drains

Jun 2014



4" SQUARE



5" SQUARE



6" SQUARE



4" ROUND



6" ROUND

- ADA Compliant
- Solid nickel-bronze tops
- Available with ABS, PVC, and Cast Iron roughs (5 & 6" square only)

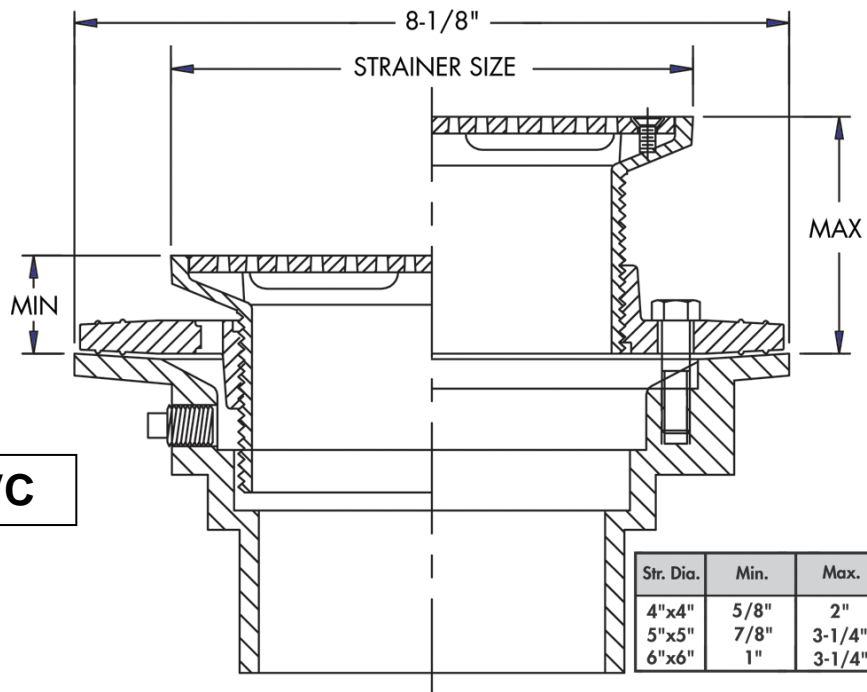
Connection	2 - 3"



PRODUCT SPECIFICATIONS

Floor Drains

Jun 2014



ABS / PVC

Str. Dia.	Min.	Max.
4"x4"	5/8"	2"
5"x5"	7/8"	3-1/4"
6"x6"	1"	3-1/4"

Cast iron

