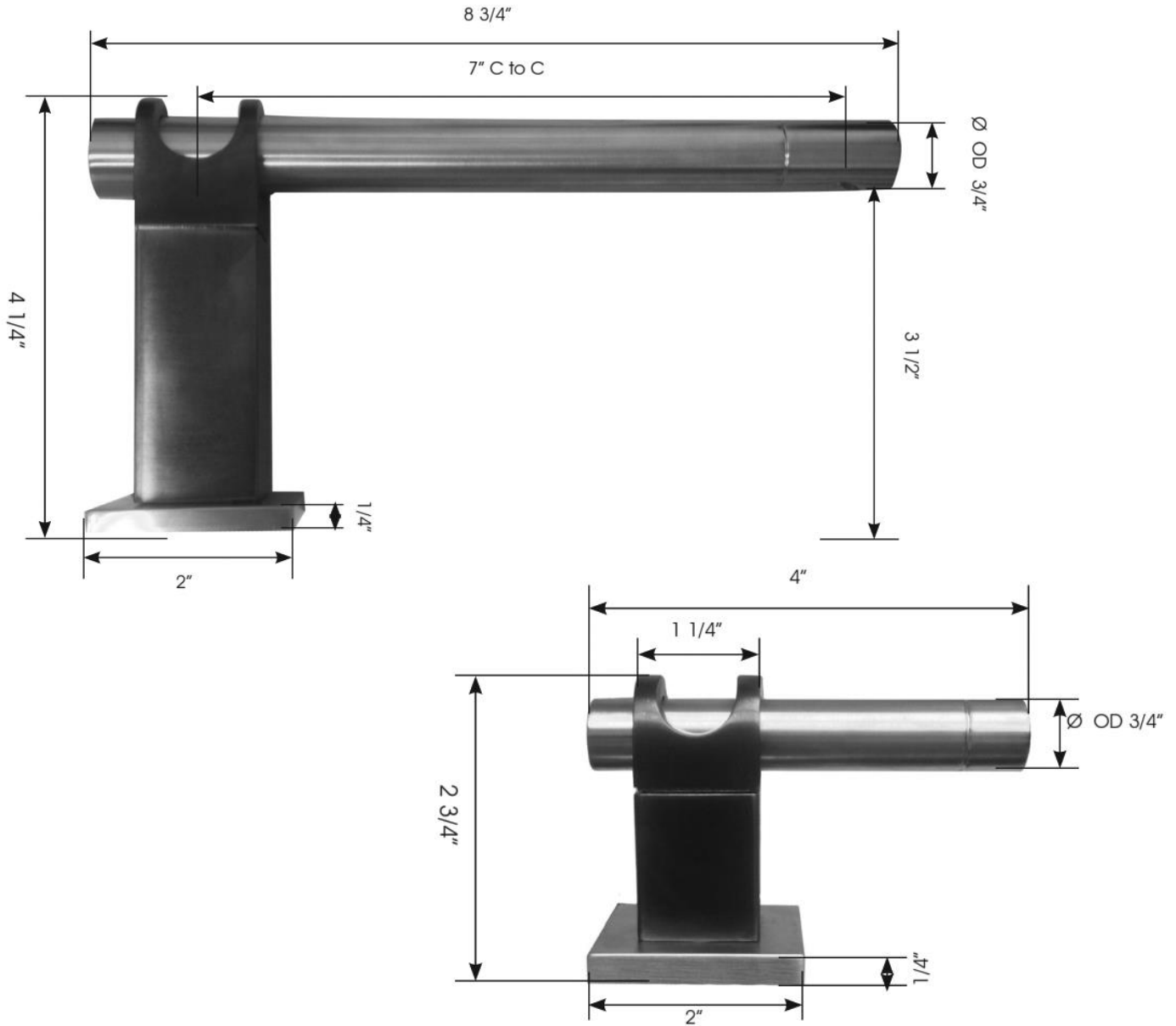




PRODUCT SPECIFICATIONS

Strap Deck Mounted Lav Faucet ST-LAV-DM

Oct 2014



- ADA Compliant
- Includes pair of hot & cold controls
- Includes Flip-Top Drain w/o overflow
- Custom finishes available

Connection	3/8" Compression
Valve	1/2" Ceramic
GPM	1.5