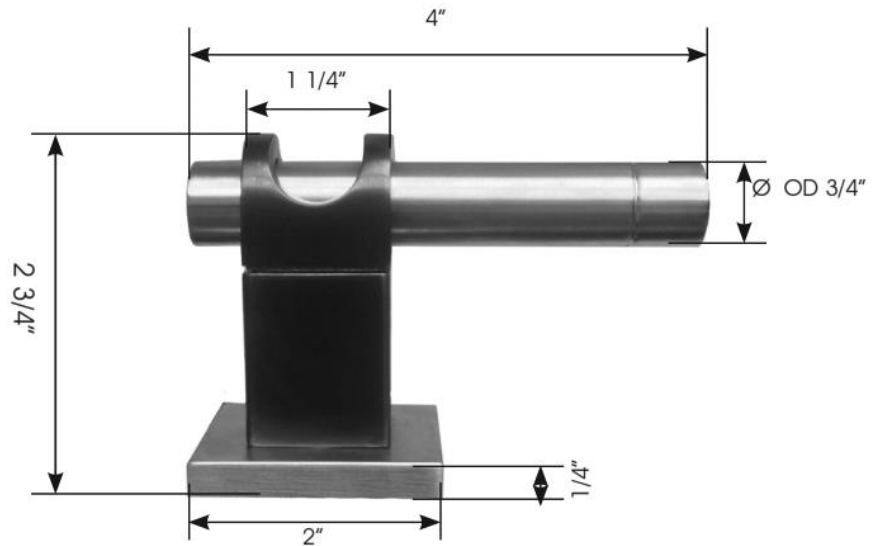
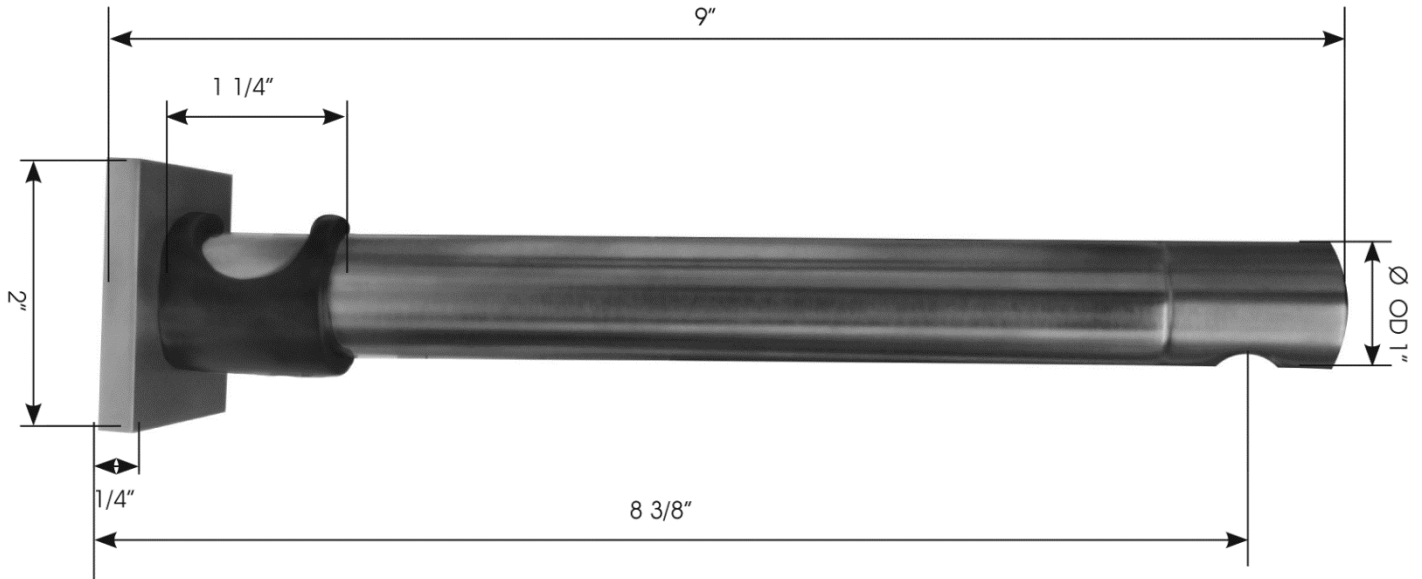




PRODUCT SPECIFICATIONS

Strap Wall Mounted Lav Faucet ST-LAV-WM

Jan 2015



- ADA Compliant
- Includes pair of hot & cold controls
- Includes Flip-Top Drain w/o overflow
- Custom finishes available

Connection	3/8" Compression
Valve	1/2" Ceramic
GPM	1.5