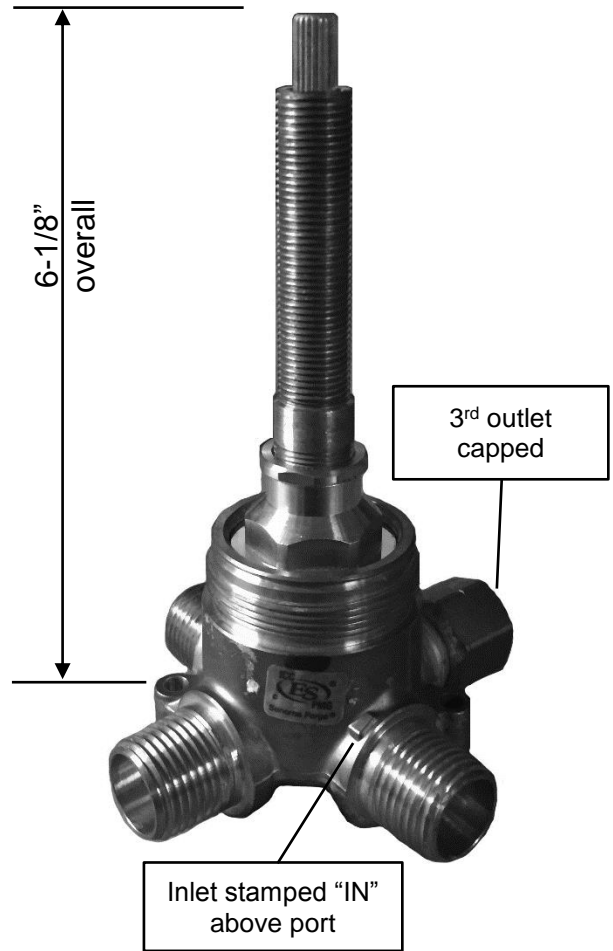
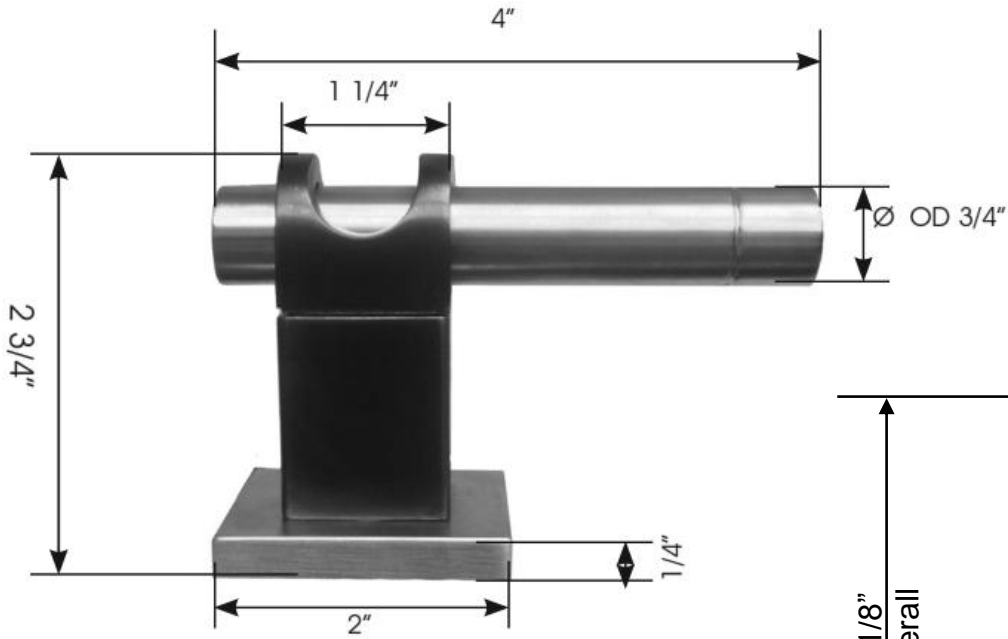




PRODUCT SPECIFICATIONS

Strap Wall Mounted Diverter ST-WM-DIV2

Oct 2017



- Do not remove cap from outlet
- ADA Compliant

Connection	1/2"
Valve	1/2"
GPM	5