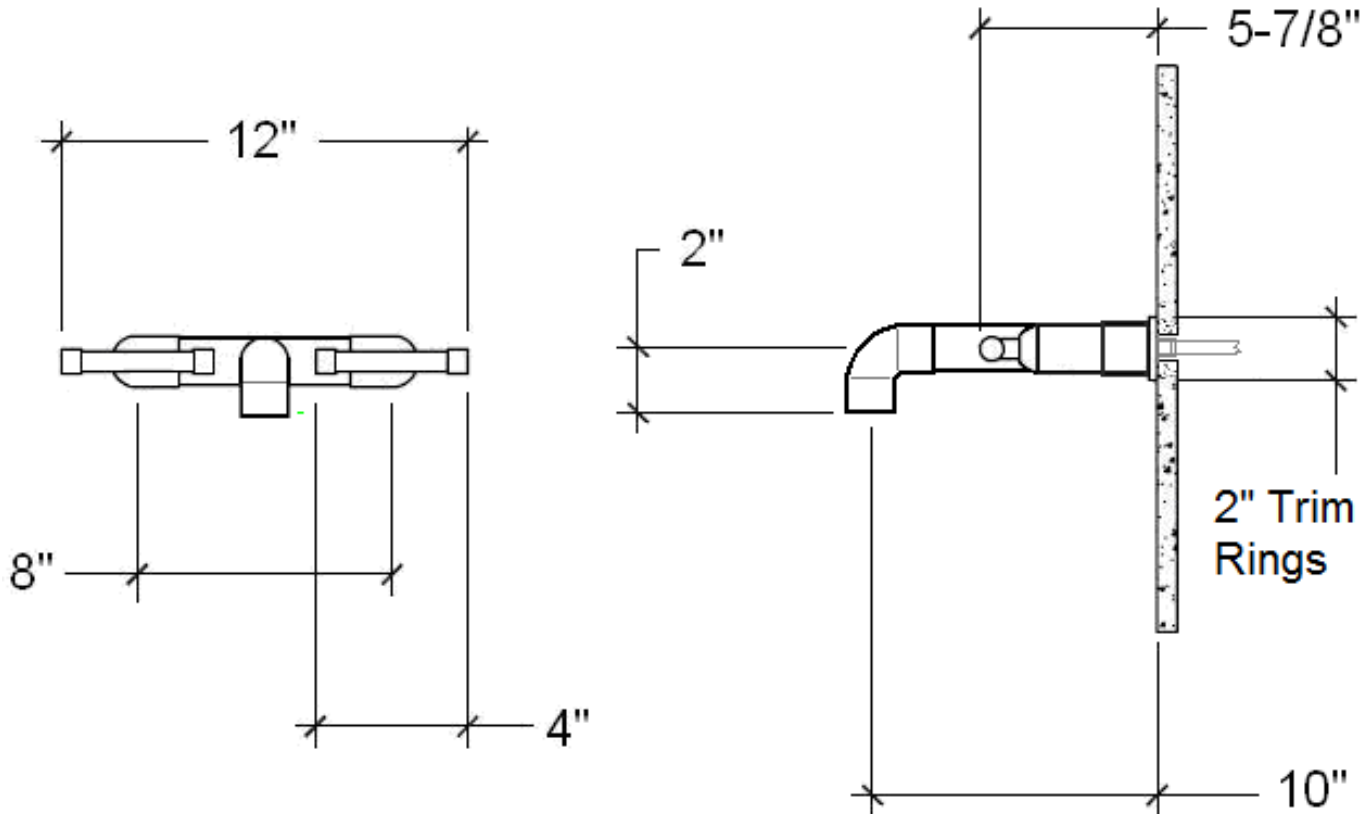




Jan 2014

INSTALLATION GUIDE

Waterbridge Wall Faucet with Elbow Spout WB-LAV-WM-LBO



- ADA Compliant
- Offset and Cross handles available
- Custom sizes and finishes available

| | |
|------------|--------------|
| Connection | 1/2" Copper |
| Valve | 1/2" Ceramic |
| GPM | 1.5 |
| | |
| | |



INSTALLATION GUIDE

Waterbridge Wall Faucet with Elbow Spout WB-LAV-WM-LBO

Jan 2014

- 1) Using the dimensions in this guide, determine the desired height for the faucet and mark the wall. Keep in mind the code for clearance between the spout and tub rim.
- 2) Install the **template** (pictured below - included with the faucet) securely in the wall. Use a level to ensure the supply lines will be at the same height.
NOTE: Additional studs and/or framing in the wall behind the template may be required for added support. There must be at least 1/2" between the template and finished wall.
- 3) Run 1/2" supply lines through the mounting template. Leave enough stubbed-out beyond the finished wall to properly attach the faucet.

MOUNTING TEMPLATE FOR EXPOSED SHOWERS AND/OR WALL FAUCETS:



- 4) Cut the supply lines down to between 3/4" and 1" from the finished wall.
- 5) Carefully slide the sleeves toward the face of the faucet, exposing the compression nuts. Remove the nuts, being careful not to lose the ferrules.
- 6) Slide the trim rings, compression nuts, threaded sleeves, then the ferrules, in that order, over the copper lines from Step #3.

NOTE: The threads on the 3/4 inch-long sleeves serve no function in this application.

FAUCET, TRIM SLEEVE, FERRULE, THREADED SLEEVE, COMPRESSION NUT, TRIM RING, MOUNTING TEMPLATE:



- 7) Supporting the faucet, tighten the compression nuts onto the back of the faucet. If the copper supply lines need to be trimmed, remove the faucet and return to step #7.
- 8) Gently slide the sleeves back over the compression nuts and against the trim rings.
- 9) Water test for leaks.