

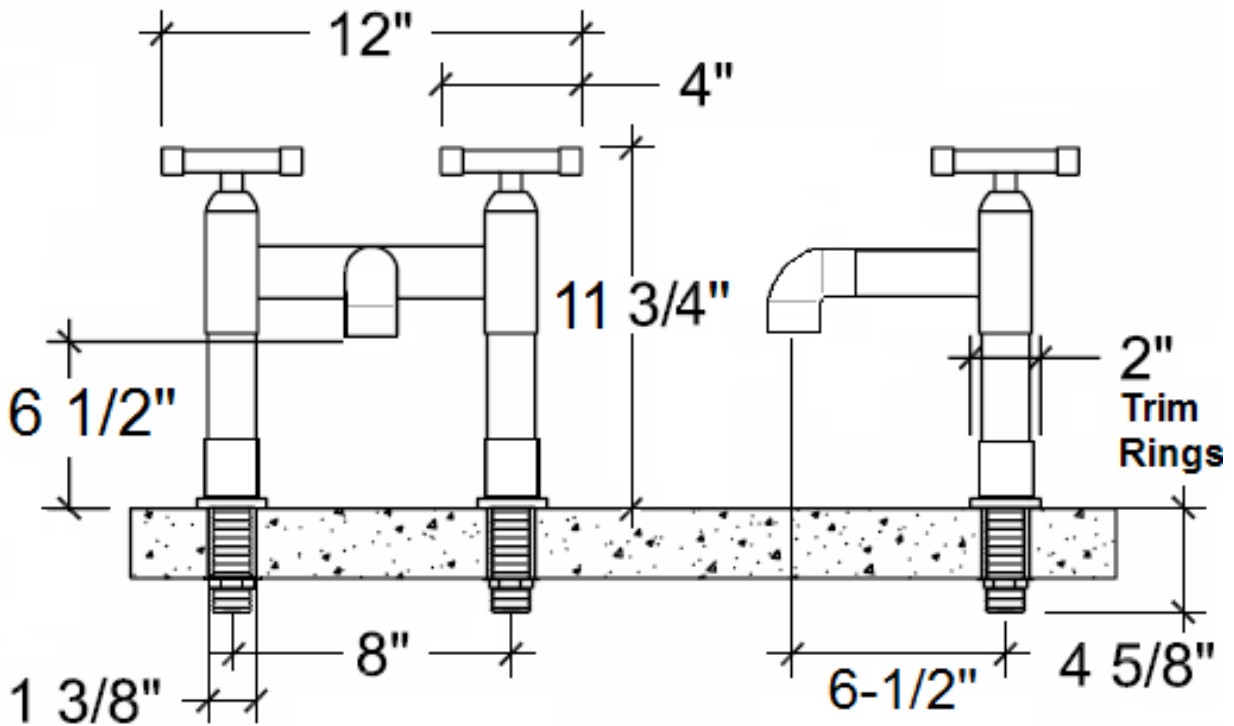


# PRODUCT SPECIFICATIONS

## Waterbridge Deck Mounted Tub Filler with LBO Spout

June 2013

WB-RTF-DM-LBO



- ADA Compliant
- Offset and Cross handles available
- Custom sizes and finishes available

Connection	3/4" NPS
Valve	3/4" Ceramic
GPM	10-14