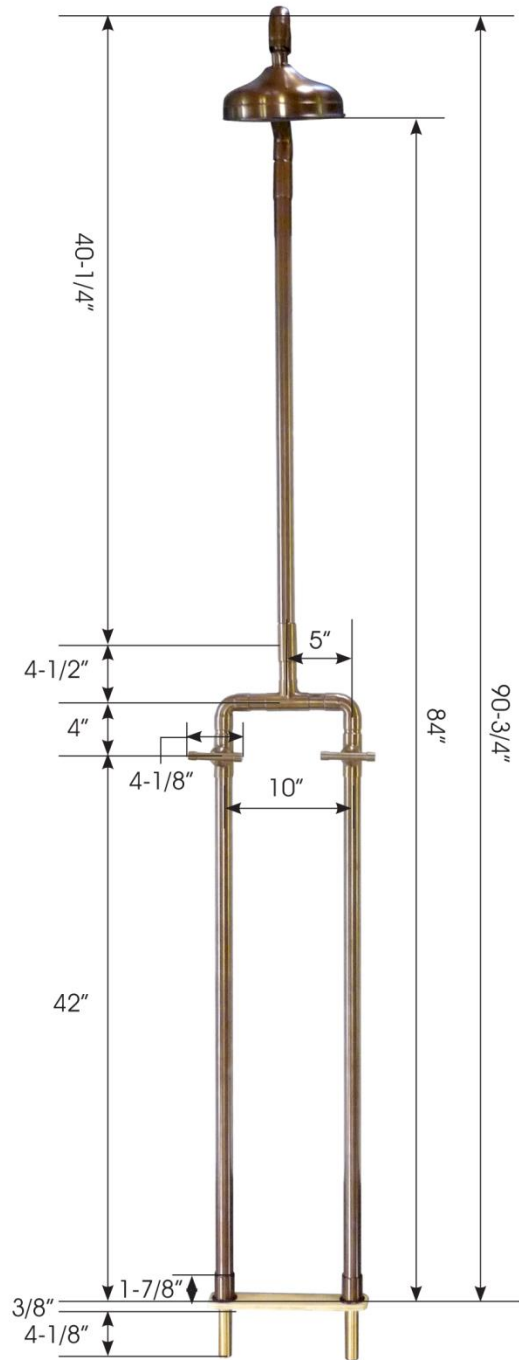
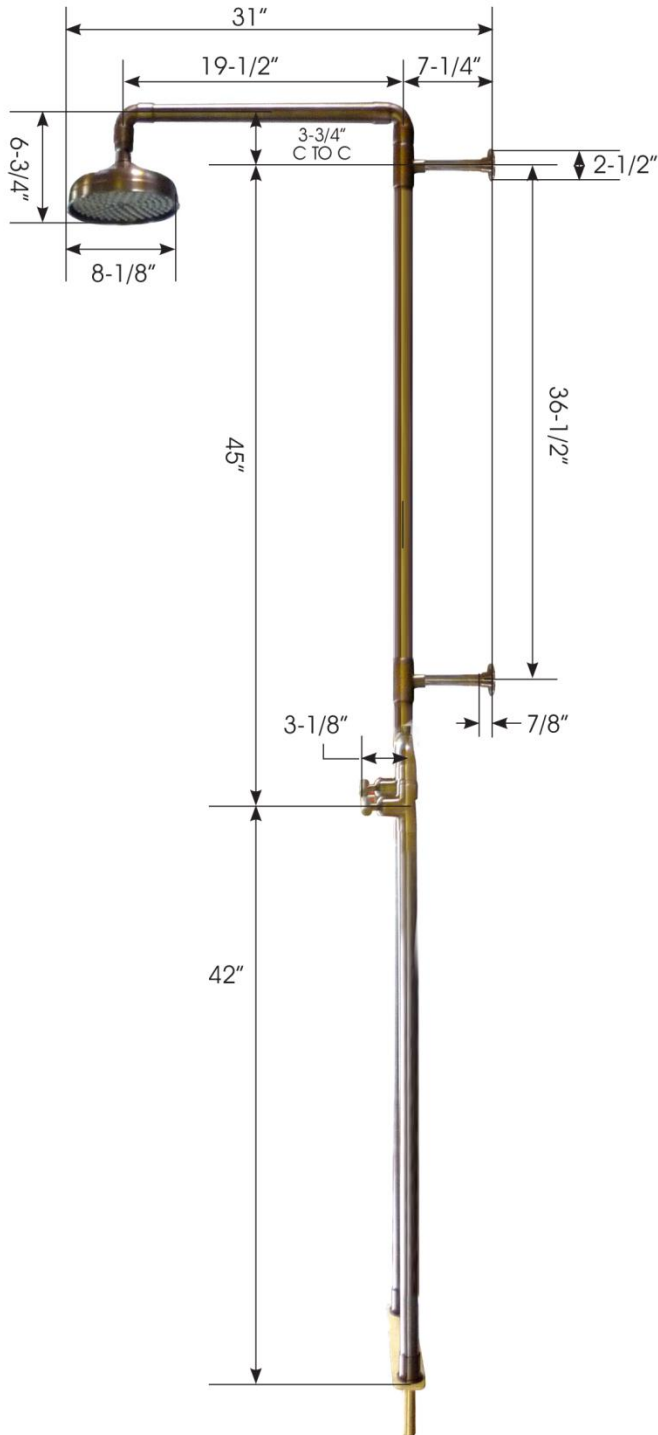




PRODUCT SPECIFICATIONS

Waterbridge Exposed Shower WB-SHW-1040

Jun 2016



- ADA Compliant
- Offset and Cross handles available
- Custom sizes and finishes available

| | |
|------------|--------------|
| Connection | 3/4" IPS |
| Valve | 1/2" Ceramic |
| GPM | 2.0 |
| | |
| | |