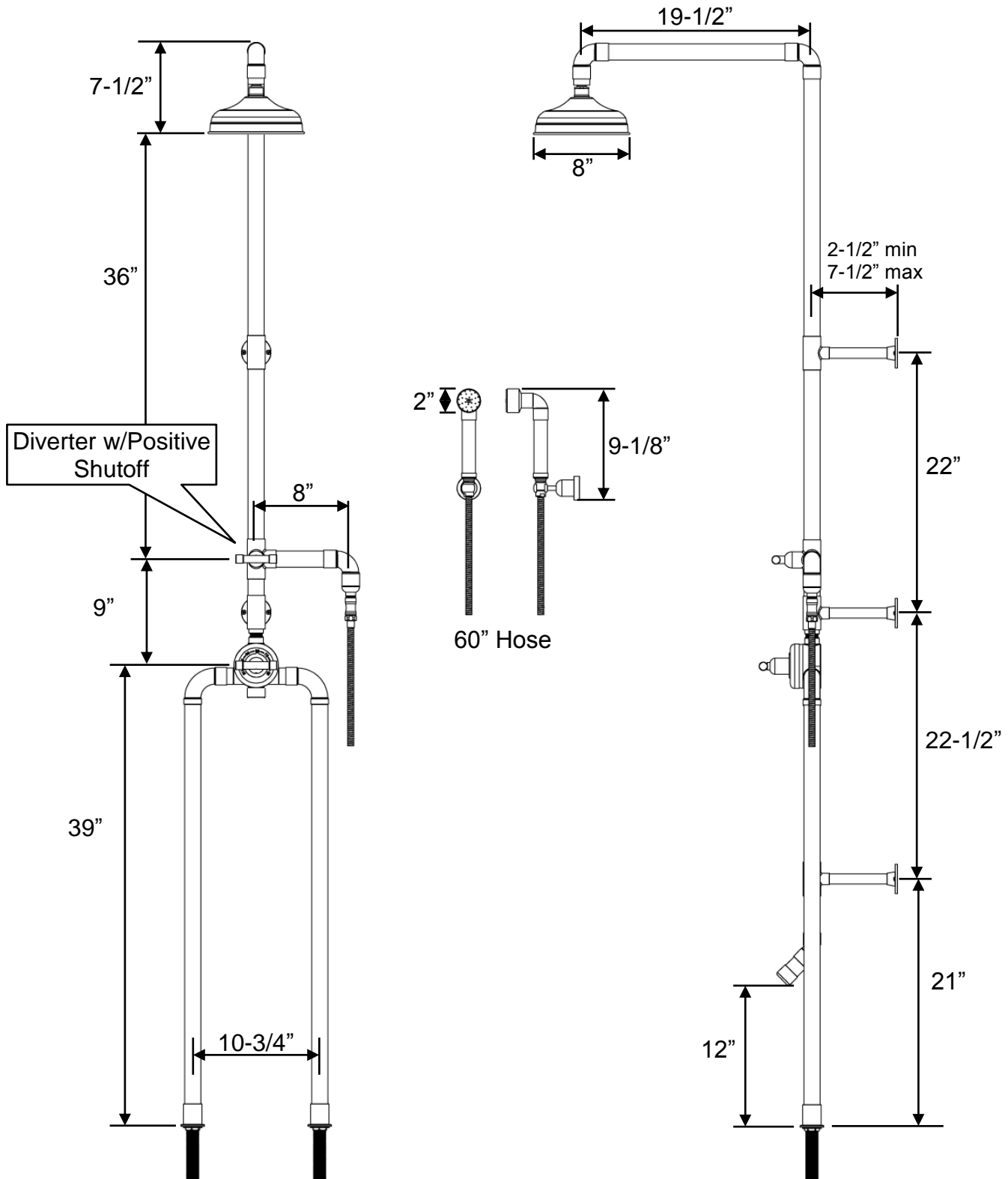




# PRODUCT SPECIFICATIONS

## Waterbridge Exposed Shower WB-SHW-1150

Feb 2018



- Dimensions apply to systems produced after Jan. 1<sup>st</sup>, 2018
- ADA Compliant
- Custom dimensions and finishes available

|            |          |
|------------|----------|
| Connection | 3/4" NPS |
| GPM        | 2.0      |
|            |          |
|            |          |

800.330.5553 | f 707.789.9201 | [info@sonomaforge.com](mailto:info@sonomaforge.com)