



# INSTALLATION GUIDE

## WaterBridge Wall-Mounted Exposed Showers

Mar 2014

**WaterBridge Exposed Showers** are available in four standard wall-mounted configurations:

<b>WB SHW 840</b>	<b>Rain head only</b>
<b>WB SHW 850</b>	<b>Rain head and handshower</b>
<b>WB SHW 870</b>	<b>Rain head and tub filler / footwash</b>
<b>WB SHW 880</b>	<b>Rain head, handshower, and tub filler / footwash</b>

Custom showers are available by special order. Please contact Sonoma Forge for more info.



**It is strongly recommended that this, and all fixtures, be installed by a professional plumber.**



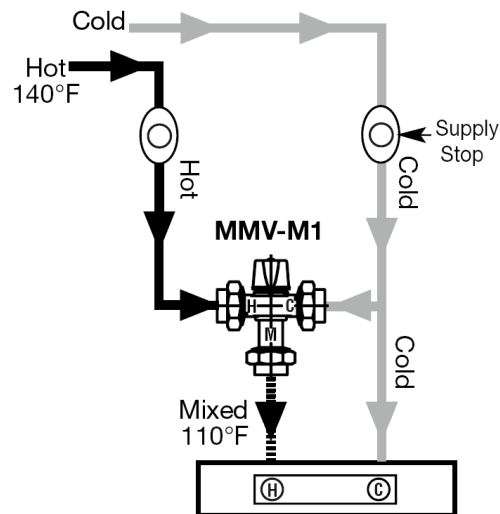
# INSTALLATION GUIDE

## WaterBridge Wall-Mounted Exposed Showers

Mar 2014

Waterbridge Exposed Showers are plumbed to 1/2" copper lines. The Shower employs compression fittings to attach to plumbing lines that have been stubbed out. The hot and cold lines should be plumbed 8" on center. A copper template is included with the shower, to position the supply lines in the wall.

Some local plumbing codes require the use of a **remote anti-scald thermostatic mixing valve**. This valve may be installed in the wall directly behind the shower face plate, in a recess panel, under the floor, or anywhere between the uninterrupted hot water supply and fixture.



**Spec Sheet & Installation Instructions Included in Box**

### **Remote (anti-scald) Mixing Valve Installation:**

Prior to installing this valve, make sure that all lines have been flushed of any debris. The hot and cold water must be fully operational at the valve inlets or the unit will not function properly even during testing or flushing.

Close both the hot and cold water supply shut-off valves and bleed the remaining water from the system.

Clean pipe ends and solder both the hot and the cold connections at the locations locate on the valve body. The valve cartridges do not have to be removed before soldering.

After soldering, check for leaks.

Note: When using with a recirculation system, re-circulated water must enter downstream to the thermostatic system.

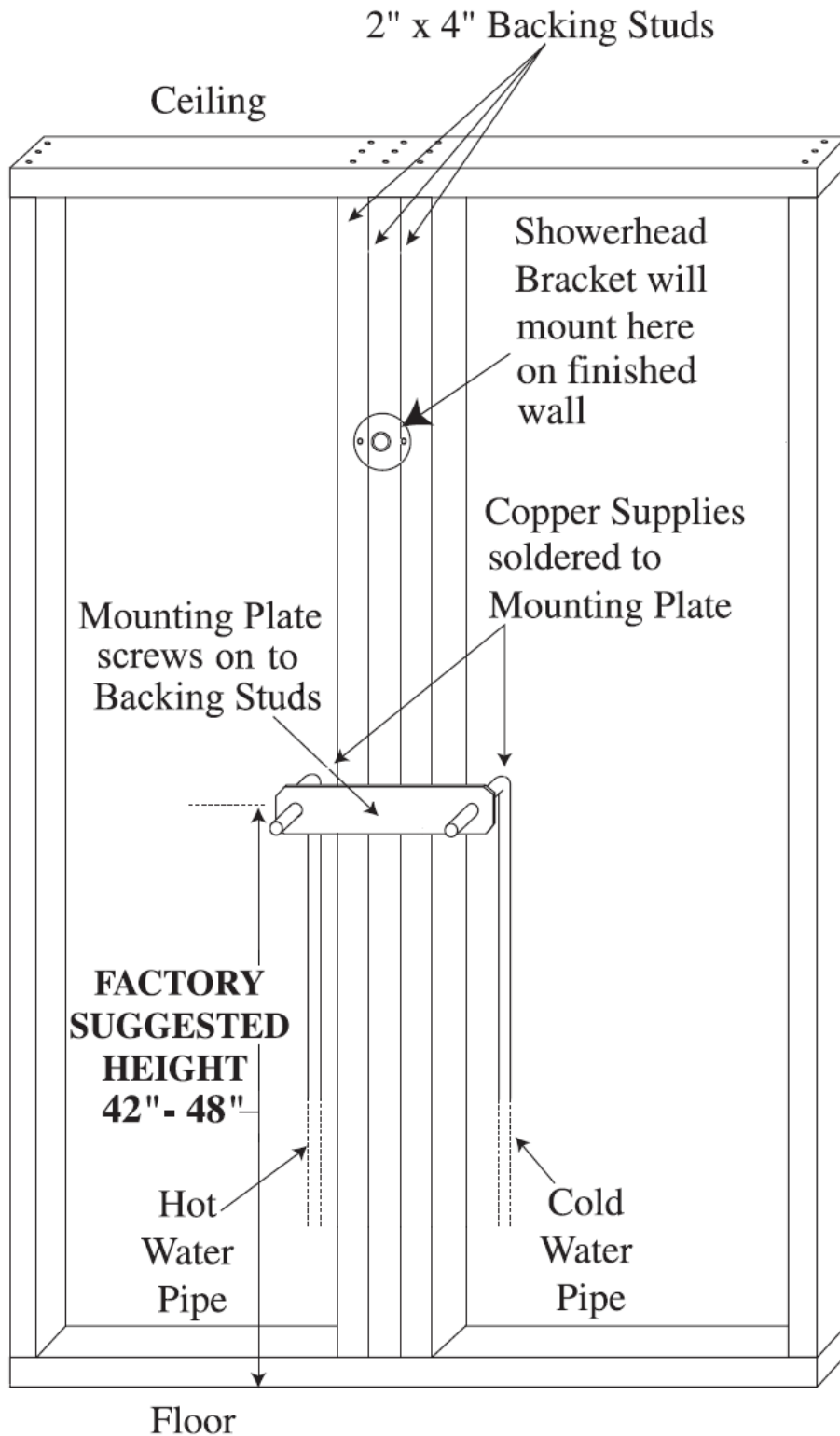
**WARNING: Temperatures exceeding 110 degrees are dangerous and may cause scalding, server injury or death. This valve is NOT factory preset. Installer must make the proper adjustments.**



# INSTALLATION GUIDE

## WaterBridge Wall-Mounted Exposed Showers

Mar 2014





Mar 2014

### Shower Body Installation

- 1) Determine a comfortable height for the rain head and shower controls.
- 2) Install the **mounting plate** pictured below (included with shower) into the wall. Additional blocking should be installed into the wall behind the mounting plate for additional support.



- 3) Run 1/2" copper supply lines through the mounting plate and solder in place to make the lines rigid. Leave at least 2-1/2" stubbed out of the finished wall. Cap lines until ready to install trim.
- 4) Remove the back plate from the shower valve body by unscrewing the compression nuts. Take care not to damage or misplace the ferrules.

#### **NOTE:**

**For Shower Models (870 & 880) with Tub Filler/Foot Wash;**

**Install the tub spout and optional extension piece prior to installation the shower on the wall.**

- 5) Uncap the supply lines, and cut them down to 1-1/16" to 1-9/16" from the finished wall.
- 6) Slide the shower back plate over the lines, and screw the back plate firmly to the wall.  
**Care should be used to properly level the back plate, as this will align the entire shower.**
- 7) Install the ferrules over the supply lines.



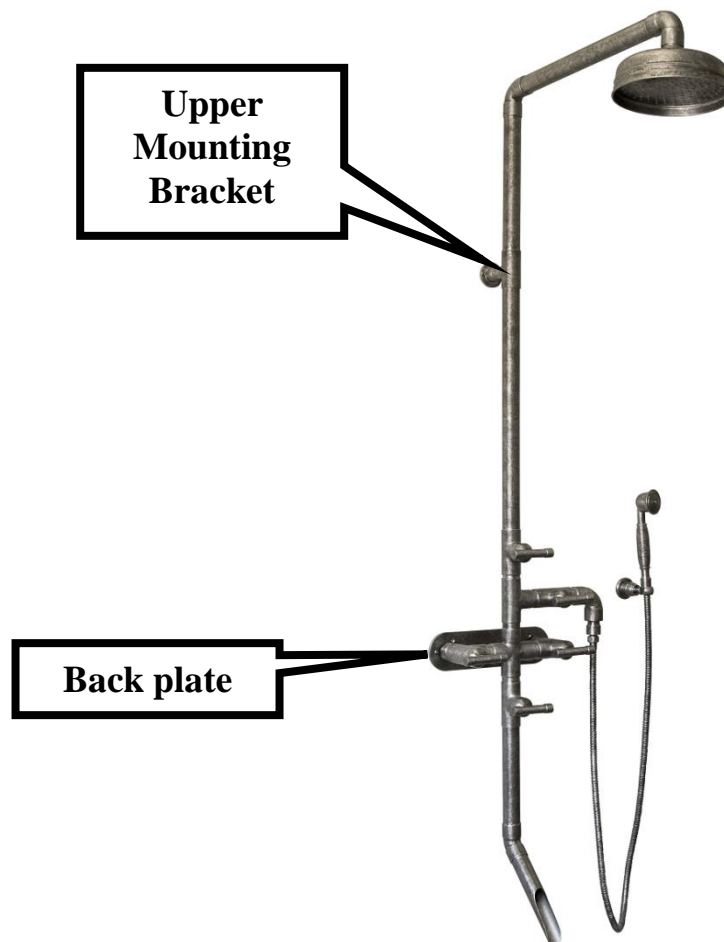


# INSTALLATION GUIDE

## WaterBridge Wall-Mounted Exposed Showers

Mar 2014

- 8) Place shower body against the wall plate so that it aligns properly to the compression nuts. It is recommend to use Teflon tape or joint compound on the threads.
- 9) Tighten the compression nuts, being careful not to damage the finish.
- 10) Using a level, the upper mounting bracket should now be attached to the wall using the supplied screws.



- 11) For **Models 850 & 880**, a separate mounting bracket is included for the hand wand. Remove the internal mounting bracket from the back by loosening the set screw. Mount the bracket on the wall with provided stainless steel screws. Re-affix the Bracket Trim, and tighten set screw.

**Ensure that the hose does not have any negative tension when not in use, as it will unravel over time.**



# INSTALLATION GUIDE

## WaterBridge Wall-Mounted Exposed Showers

Mar 2014

12) Once the Shower Body is installed, the Shower Arm should be installed (again, employing Teflon tape, joint compound, and/or supplied square O-ring).

13) Then the Rain Head should be installed:  
(again, employing Teflon tape or joint compound)

- a) Unscrew the collar from the top of the rain head.
- b) Using an Allen wrench (not provided), thread the ball joint through the collar and into the shower arm until secure.
- c) Supporting the head, tighten the collar back on to the top of the head.
- d) Note: The shower head is shipped with a flow restrictor inside the ball joint. This can easily be removed for replacement.



Ball joint with Allen Wrench

14) Turn water supply on at source, and check for leaks.

15) Check volume controls and shut-off valves for proper function.

**Care & Maintenance: No abrasives should be used to clean Sonoma Forge products. Mild soap and water can be used, and 100% carnauba wax can be applied to protect the finish.**

**All exterior plumbing should be winterized if freezing temperatures are expected.**