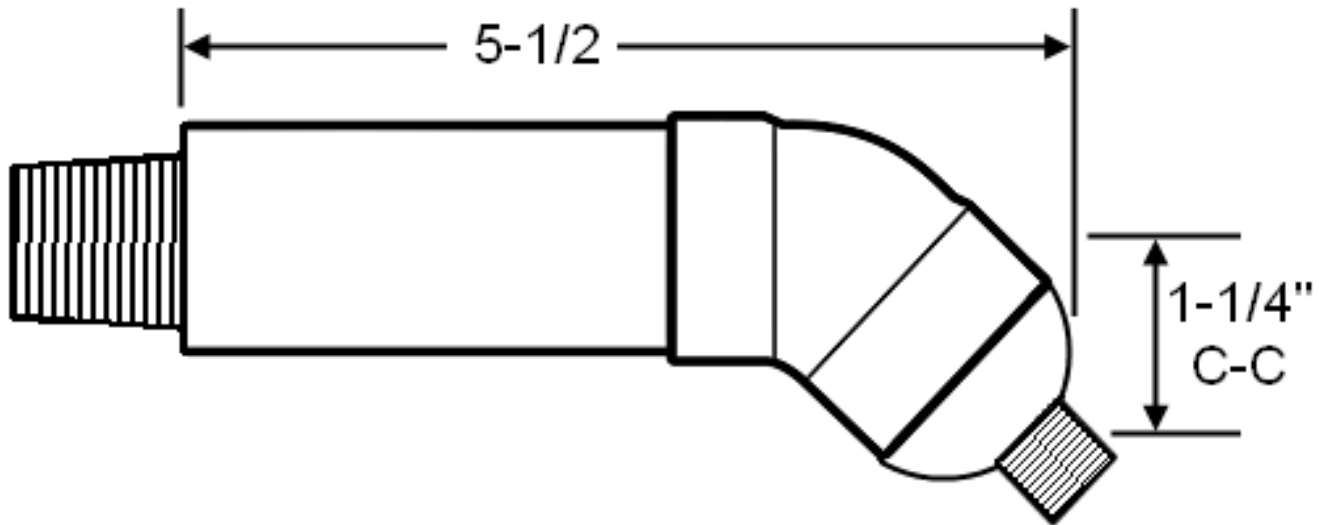




PRODUCT SPECIFICATIONS

Waterbridge 45° Shower Arm
WB-SHW-ARM45

Jan 2014



- Use as standalone arm, or with Waterbridge Exposed Showers
- Custom sizes and finishes available

Connection	1/2" NPT
GPM	5+