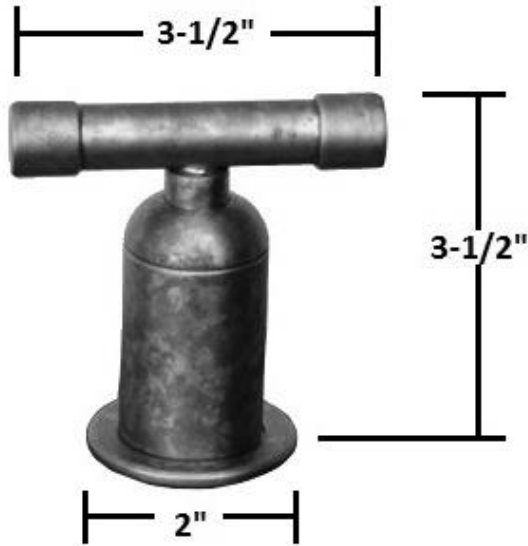
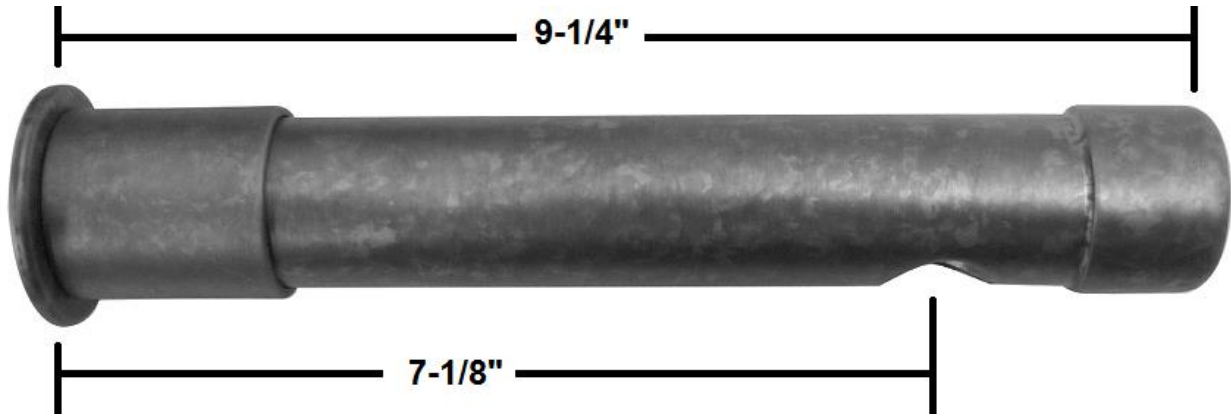




PRODUCT SPECIFICATIONS

Wherever Wall Faucet with Cap Spout
WE-LAV-WM-CAP

Oct 2016



- ADA Compliant
- Includes Lift & Turn Drain w/overflow
- Offset and Cross handles available
- Custom sizes and finishes available

Connection	1/2"
Valve	1/2" Ceramic
GPM	1.2