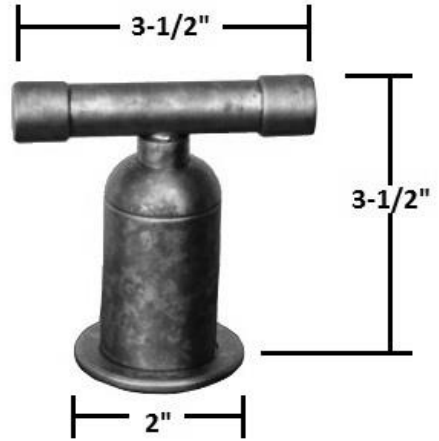
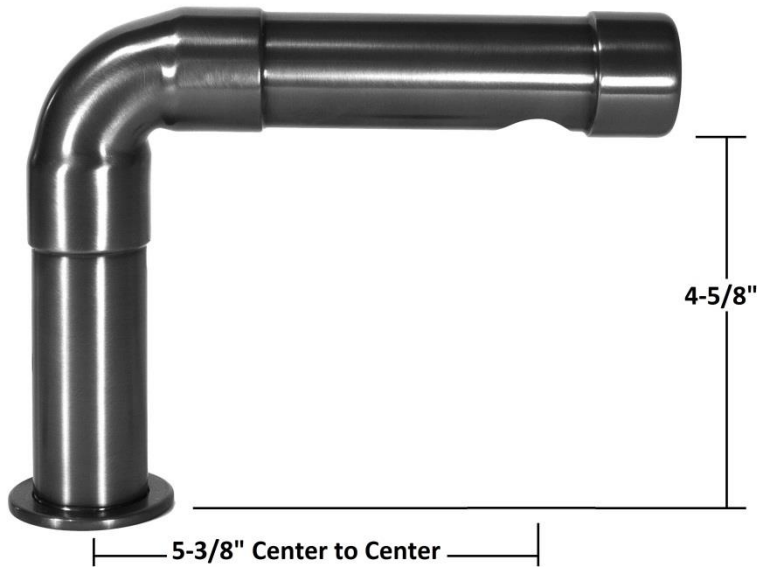




Jan 2014

# PRODUCT SPECIFICATIONS

Wherever Tub Filler with Short Cap Spout  
WE-RTF-DM-CAP-S



- ADA Compliant
- Offset and Cross handles available
- Custom sizes and finishes available

Connection	3/4" NPT
Valve	3/4" Ceramic
GPM	10-14