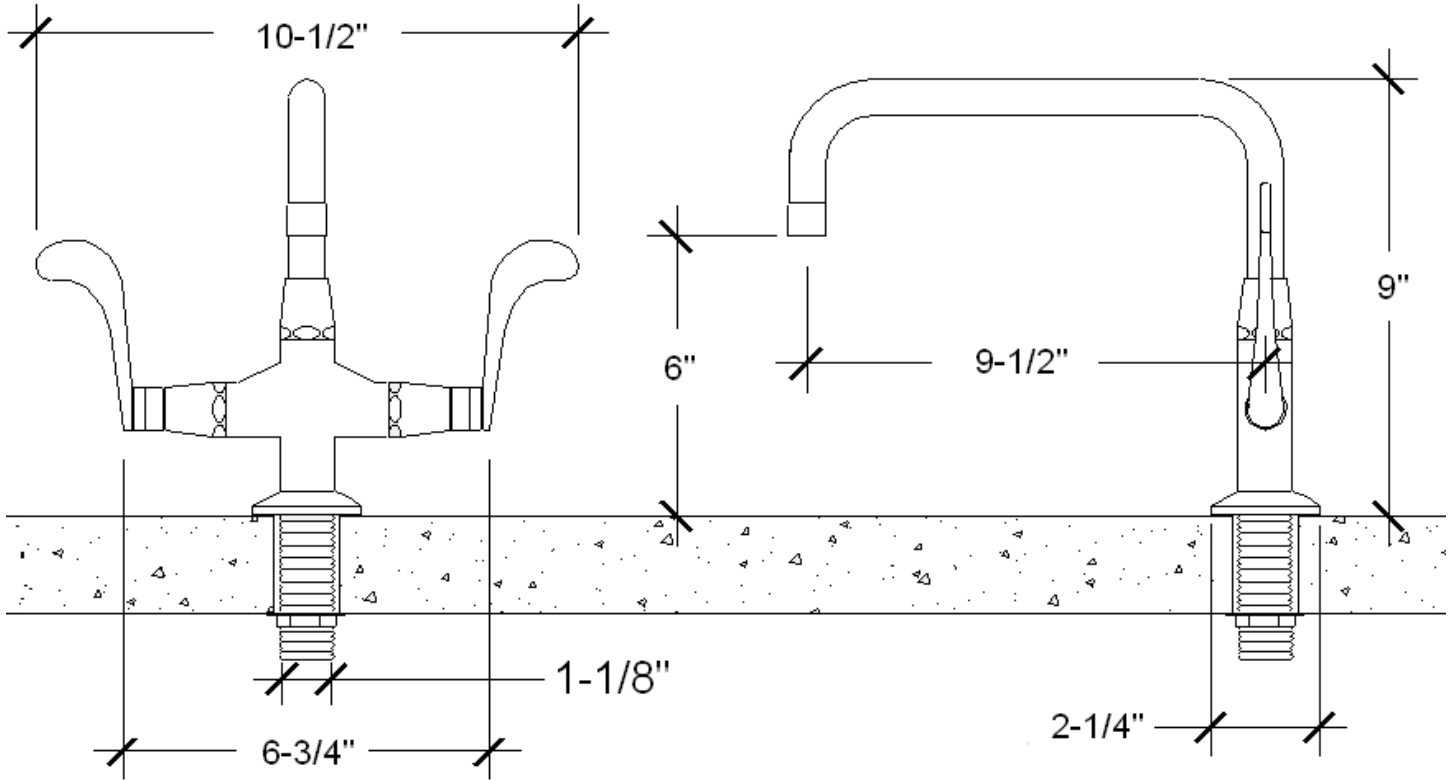




PRODUCT SPECIFICATIONS

Wingnut with Swiveling Square Spout WN-SQ-SW

Jan 2014



- ADA Compliant
- Allow a 1-1/8" hole for mounting
- Custom finishes available

Connection	3/8" Compression
Valve	1/2" Ceramic
GPM	1.5