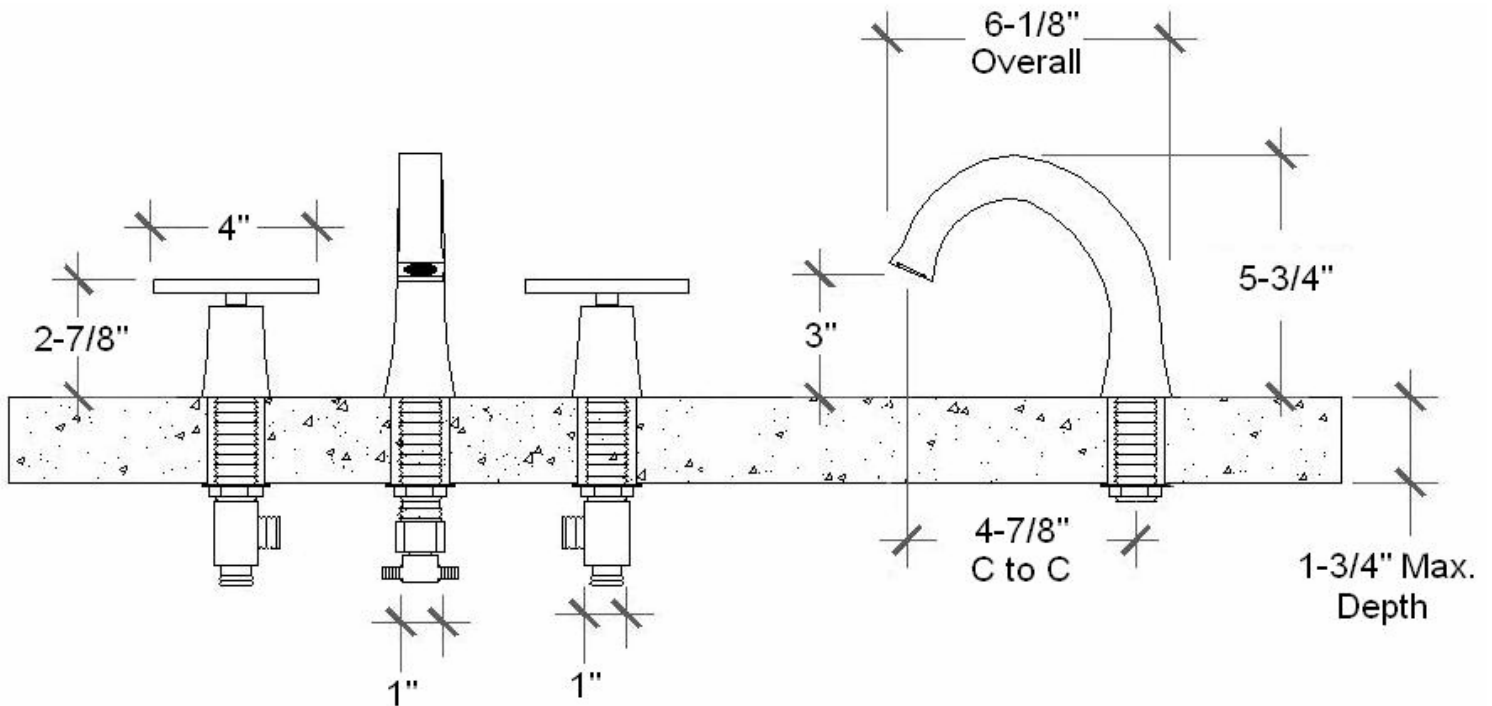




PRODUCT SPECIFICATIONS CiXX LAV DECK MOUNT SHORT (CX LAV DM S)



FACTS

Unique Hand Forged Construction (Solid Brass or Solid Stainless Steel)

4" Cross Handles

1-5/8" x 1-3/4" escutcheon base

Drill holes at 1-1/8" for valves and spout (max. counter thickness = 1-3/4")

1/2" Quarter turn valves with ceramic cartridges included

TEE and braided stainless steel supply hoses included

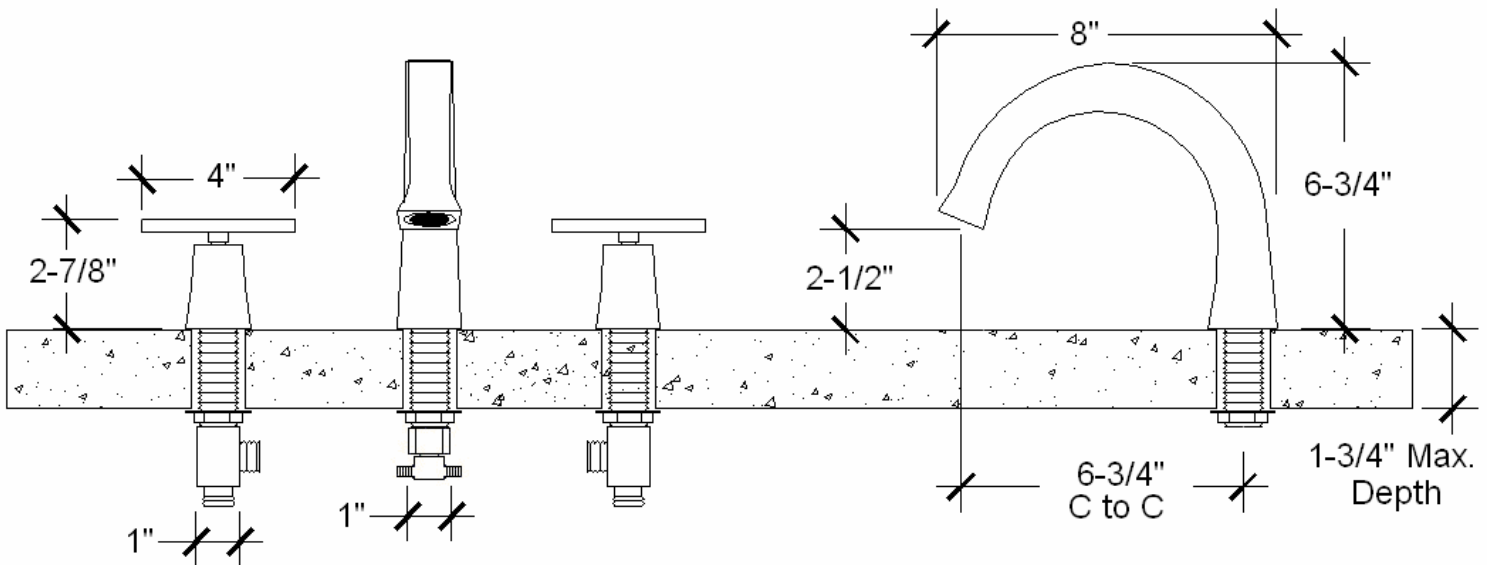
Available in Two Standard Finishes (CiXX Collection)

Brass

Stainless Steel



PRODUCT SPECIFICATIONS CiXX LAV DECK MOUNT TALL (CX LAV DM T)



FACTS

Unique Hand Forged Construction (Solid Brass or Solid Stainless Steel)

4" Cross Handles

1-5/8" x 1-3/4" escutcheon base

Drill holes at 1-1/8" for valves and spout (max. counter thickness = 1-3/4")

1/2" Quarter turn valves with ceramic cartridges included

TEE and braided stainless steel supply hoses included

Available in Two Standard Finishes (CiXX Collection)

Brass

Stainless Steel