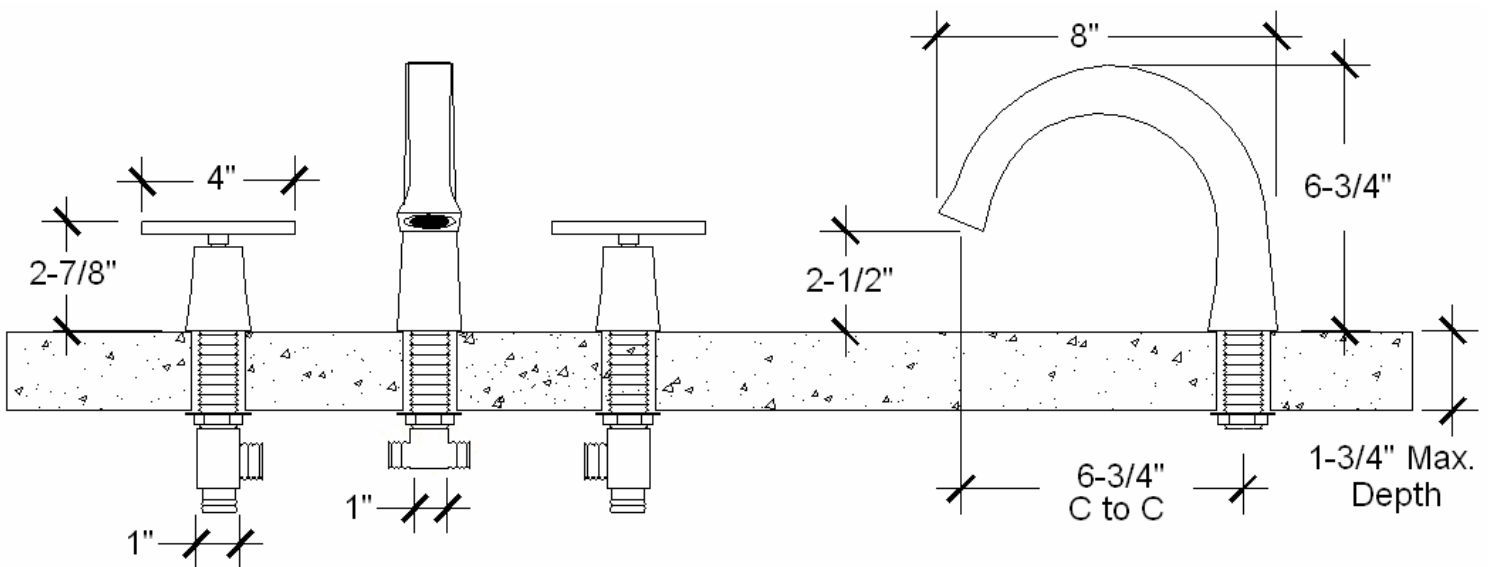




PRODUCT SPECIFICATIONS

CiXX ROMAN TUB FILLER DECK MOUNT (CX RTF DM)



FACTS

Unique Hand Forged Construction (Solid Brass or Solid Stainless Steel)

4" Cross Handles

1-5/8" x 1-3/4" escutcheon base

Drill holes at 1-1/8" for valves and spout (max. counter thickness of 1-3/4")

3/4" Quarter turn valves with ceramic cartridges included

TEE and braided stainless steel supply hoses included

Available in Two Standard Finishes (CiXX Collection)

Brass

Stainless Steel