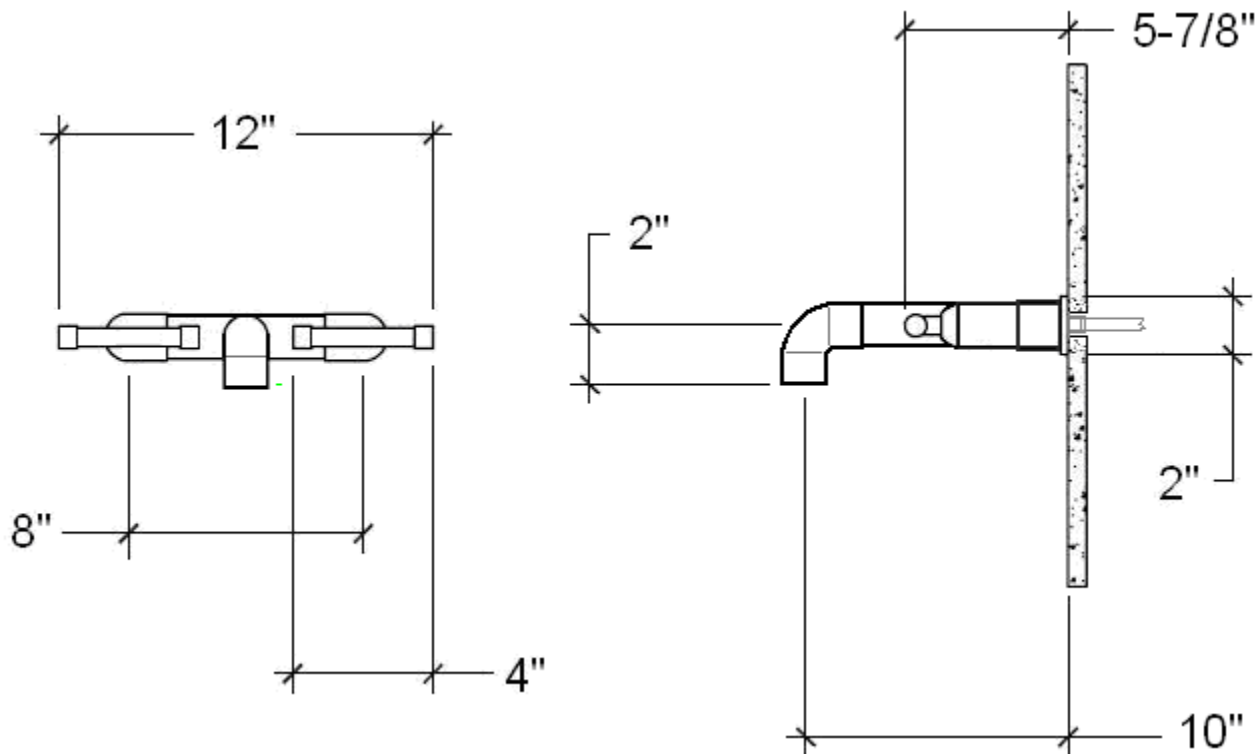




UPDATED  
VERSION  
FEB 2010

## PRODUCT SPECIFICATIONS

WATERBRIDGE "RAMPBRIDGE" LAV - WALL MOUNT (LBO LAV WM)



### FACTS

1/2" Compression Fitting

1/2" Quarter-turn Ceramic Cartridges

2.2 GPM Aerator

Copper Mounting Template included

IAPMO Approved

Available in Four Standard Finishes (WaterBridge Collection)

Rustic Copper (RC)	Oil Rubbed Bronze (ORB)
Rustic Nickel (RN)	Pizzazz Nickel (PN)



UPDATED  
VERSION  
FEB 2010

PRODUCT SPECIFICATIONS  
WATERBRIDGE "RAMPBRIDGE" LAV - WALL MOUNT (LBO LAV WM)

