

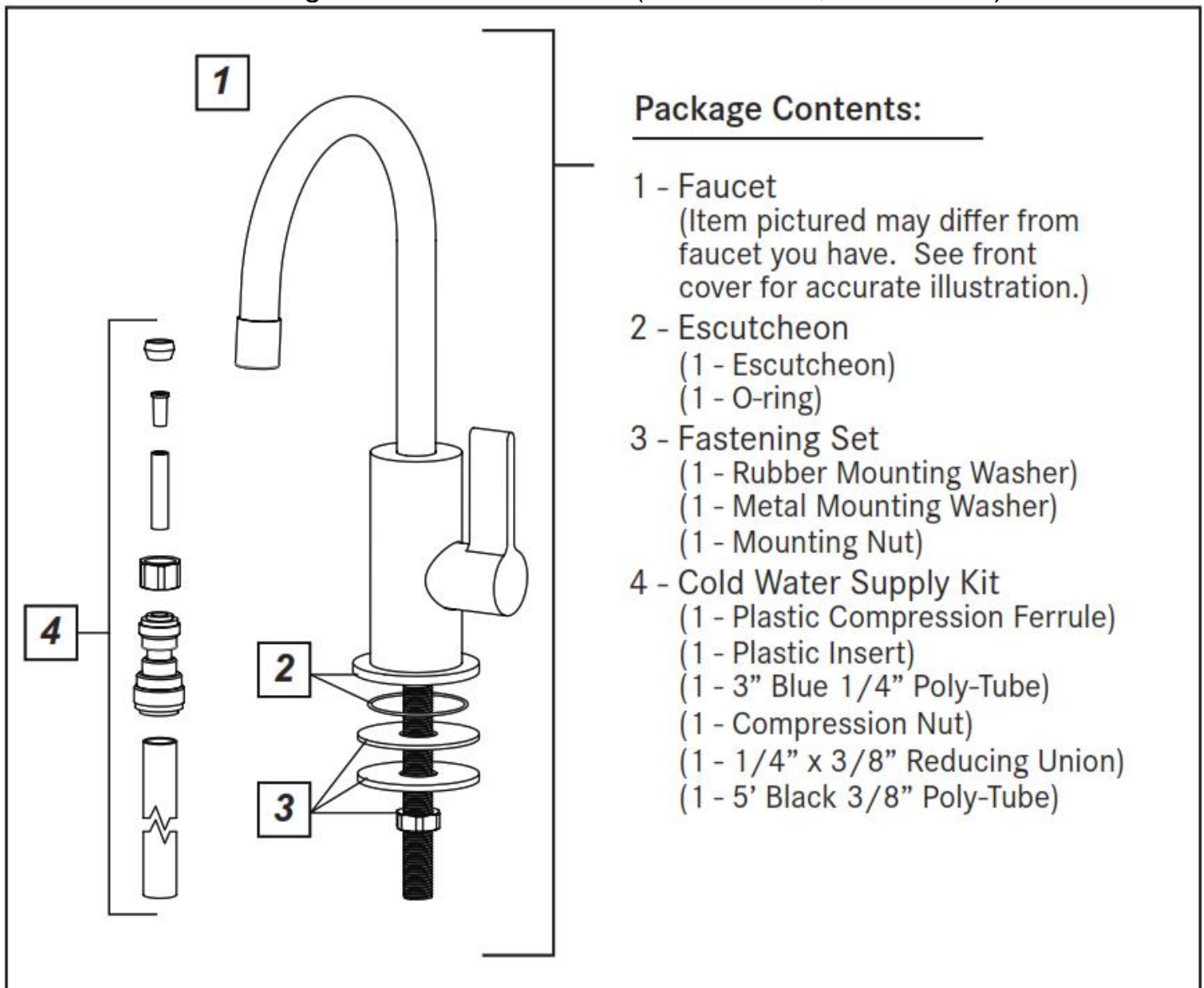


Nov 2023

Pressure Range - MINIMUM 35 PSI - Recommended Maximum 75 PSI
has certified that this faucet complies with NSF61 and NSF372 drinking water system component requirements. These requirements meet California Health and Safety Code requirements for low lead (AB1953) as well as the low lead requirements of the US Safe Drinking Water Act of 2014.

These dispensing faucets are NOT compatible with REVERSE OSMOSIS (RO)

Drinking / Cold Water Faucets (POU-LBO-C, POU-GN-C)



Package Contents:

- 1 - Faucet
(Item pictured may differ from faucet you have. See front cover for accurate illustration.)
- 2 - Escutcheon
(1 - Escutcheon)
(1 - O-ring)
- 3 - Fastening Set
(1 - Rubber Mounting Washer)
(1 - Metal Mounting Washer)
(1 - Mounting Nut)
- 4 - Cold Water Supply Kit
(1 - Plastic Compression Ferrule)
(1 - Plastic Insert)
(1 - 3" Blue 1/4" Poly-Tube)
(1 - Compression Nut)
(1 - 1/4" x 3/8" Reducing Union)
(1 - 5' Black 3/8" Poly-Tube)



Nov 2023

Hot Water Faucets (POU-LBO-H, POU-GN-H)

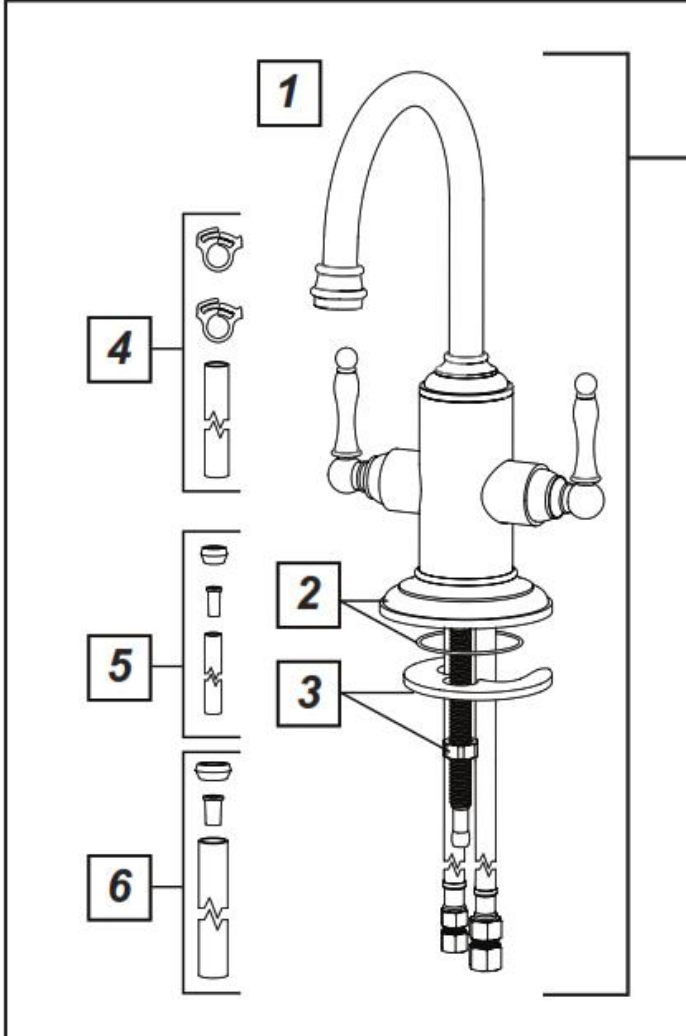
The diagram shows a hot water faucet assembly with the following components labeled:

- 1**: The faucet handle and spout.
- 2**: The escutcheon plate.
- 3**: The fastening set, including a mounting washer and nut.
- 4**: Heating tank return tubing, including hose clips and a high-temp silicone tube.
- 5**: Heating tank supply tubing, including a plastic compression ferrule, plastic insert, and 18" red 1/4" poly-tube.
- 6**: Cold supply tubing, including a plastic compression ferrule, plastic insert, and 5' black 3/8" poly-tube.

Package Contents:

- 1 - Faucet
(Item pictured may differ from faucet you have. See front cover for accurate illustration.)
- 2 - Escutcheon
(1 - Escutcheon)
(1 - O-ring)
- 3 - Fastening Set
(1 - Mounting Washer)
(1 - Mounting Nut)
- 4 - Heating Tank Return Tubing
(2 - Hose Clips)
(1 - High-Temp Silicone Tube)
- 5 - Heating Tank Supply Tubing
(1 - Plastic Compression Ferrule)
(1 - Plastic Insert)
(1 - 18" Red 1/4" Poly-Tube)
- 6 - Cold Supply Tubing
(1 - Plastic Compression Ferrule)
(1 - Plastic Insert)
(5' Black 3/8" Poly-Tube)

Hot & Cold Water Faucets (POU-LBO-HC, POU-GN-HC)



The diagram shows a hot and cold water faucet with a curved spout and two handles. Numbered callouts point to the following components:

- 1**: The faucet handle and spout assembly.
- 2**: The escutcheon plate at the base of the faucet.
- 3**: The fastening set, including a mounting washer and nut.
- 4**: Heating tank return tubing, including hose clips and a high-temp silicone tube.
- 5**: Heating tank supply tubing, including a plastic compression ferrule, plastic insert, and 18" red 1/4" poly-tube.
- 6**: Cold supply tubing, including a plastic compression ferrule, plastic insert, and 5' black 3/8" poly-tube.

Package Contents:

- 1 - Faucet
(Item pictured may differ from faucet you have. See front cover for accurate illustration.)
- 2 - Escutcheon
(1 - Escutcheon)
(1 - O-ring)
- 3 - Fastening Set
(1 - Mounting Washer)
(1 - Mounting Nut)
- 4 - Heating Tank Return Tubing
(2 - Hose Clips)
(1 - High-Temp Silicone Tube)
- 5 - Heating Tank Supply Tubing
(1 - Plastic Compression Ferrule)
(1 - Plastic Insert)
(1 - 18" Red 1/4" Poly-Tube)
- 6 - Cold Supply Tubing
(1 - Plastic Compression Ferrule)
(1 - Plastic Insert)
(5' Black 3/8" Poly-Tube)



Nov 2023

For best results, it is recommended this faucet be installed by a licensed, professional plumber. The installer should familiarize themselves with how this dispensing faucet will be installed and function as part of a point-of-use water dispensing arrangement **BEFORE** the products are installed because there are several installation options. Make certain to observe all local plumbing and building codes during the installation.

First identify which dispenser and configuration you are using.

Hot Water Installation Options:

These dispensers are designed to be used in conjunction with a Franke or Mountain Plumbing heating tank unit. Most brands *should* work properly **except for Insinkerator**. Use of a filtration system in addition to the heating tank is optional, but strongly recommended in order to prolong the life and improve the performance of the heating tank, as well as providing much higher quality water as compared to un-filtered water entering the tank.

These dispensers offer hot and filtered water separately. Dispensers must be used in conjunction with both a heating tank unit and a filtration system.

These models both utilize 3 tubes to connect to the system:

- The combination stainless hose and black poly-tubing for the cold water supply into the dispensing faucet
- The combination stainless hose and red poly-tubing to carry the filtered water from the dispensing faucet to the heating tank unit.
- 1 opaque high temperature silicone tube to carry the heated water from the heating tank back to the dispensing faucet.

Cold Water Installation Options:

These dispensers provide filtered drinking water as well as the option of chilled drinking water. These dispensers are required to be used in conjunction with a filtration system. For chilled drinking water, a chiller tank unit is required. These models utilize a combination of black and blue poly-tubing to create one water supply connection to the faucet.



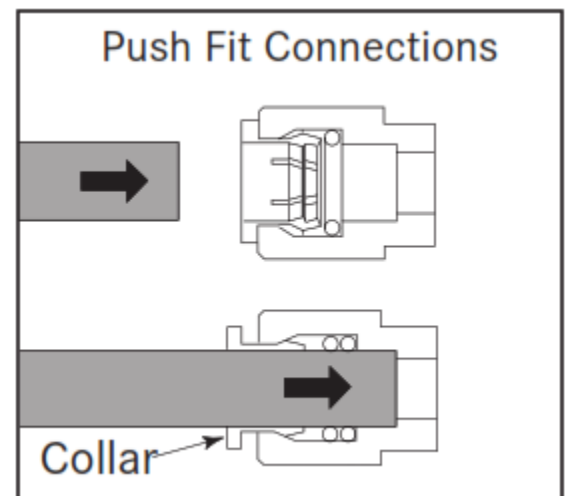
Nov 2023

It is recommended to take the components and locate their optimum positions before starting the installation. Make sure there is adequate clearance for the dispenser handle(s) to open fully without interference, all plumbing and electrical connections will reach the intended mounting positions for all the components and there will be no obstructions or sharp bends in plumbing, and the countertop is no thicker than 2-1/4".

WARNING: Before inserting poly-tubing into the push fittings in subsequent steps, ensure the ends of the tubing used are cut square and free of burrs, both inside and outside. Ensure there are no gouges, scratches, or any other form of damage within 1" from the cut end of the tubing. Damage in this area can cause leakage. Do NOT use any thread sealant, plumber's putty, glue, or other adhesive chemicals on the tubing or push fittings. This can damage the O-rings inside the push fittings and cause leakage. Do not use tools or modify any of the push fit connections.

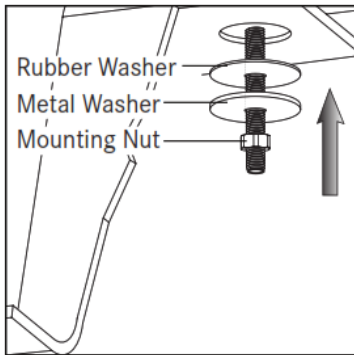
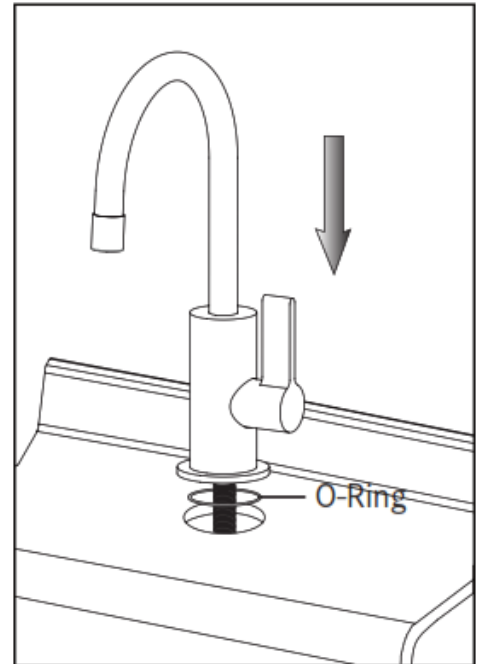
NOTE: When installing poly-tubing into push fit connections, the tubing should be firmly pressed into the fitting until it stops to ensure a proper seal. If you should need to remove the tubing from the push fitting, use your thumb and forefinger to press and hold in on the collar while gently pulling the tube out.

This faucet is designed for a 1-1/4" (32mm) mounting hole



Cold water faucets:

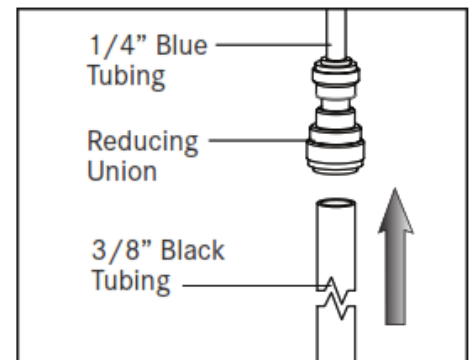
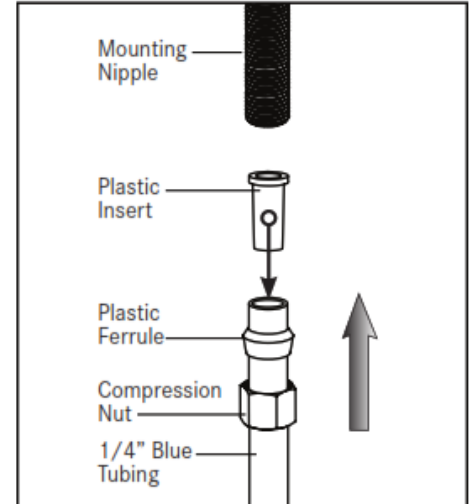
1. Remove the Mounting Nut and 1/4" compression nut from the mounting nipple.
2. Install the escutcheon to the base of the faucet by sliding it over the mounting nipple. Make sure the O-ring is positioned in its seat in the escutcheon.
3. Place the faucet in the hole, orienting the spout towards the sink bowl with the handle in position to rotate forward.



4. Install fastening set as shown: Rubber Washer, Metal Mounting Washer, Mounting Nut.

5. Connect the cold water supply to the faucet:

- Slide the plastic ferrule and the compression nut onto the blue 1/4" poly-tubing and place the plastic insert in the end of the tubing as illustrated.
- Insert the assembled tubing into the mounting nipple and tighten the compression nut.
- Connect the reducing union to the 1/4" blue tubing and insert the 3/8" black tubing.



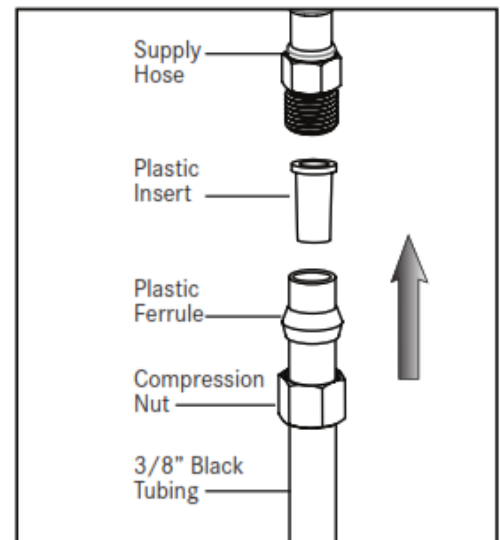
6. Connect the black 3/8" poly-tubing to the outlet of the filtration system as outlined in the filtration system instructions

SKIP TO STEP 10

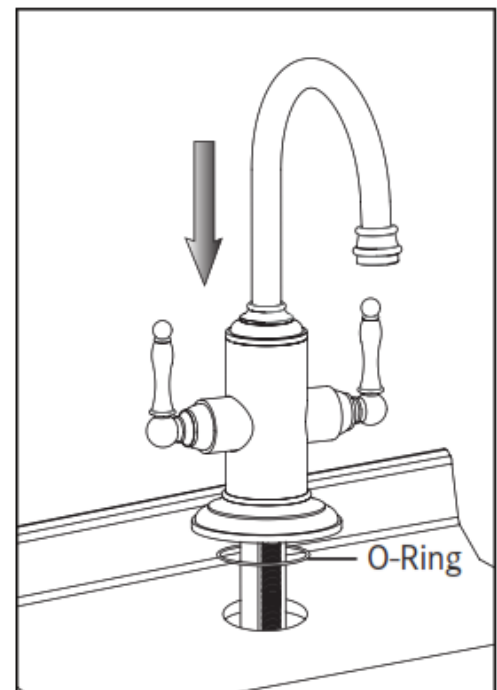
Hot / Hot & Cold water faucets:

7. Remove the 3/8" compression nut from the factory installed steel supply hose.
 - Slide the plastic ferrule and the compression nut onto the black 3/8" poly-tubing and place the plastic insert in the end of the tubing as illustrated.
 - Connect the assembled tubing to the steel supply hose and tighten the compression nut.

8. Connect the hot water supply to the faucet:
 - Remove the 1/4" compression nut from the factory installed steel supply hose.
 - Slide the plastic ferrule and the compression nut onto the red 1/4" poly-tubing and place the plastic insert in the end of the tubing as illustrated.
 - Connect the assembled tubing to the steel supply hose and tighten the compression nut.



9. Remove the fastening hardware from the mounting nipple.
 - Install the escutcheon to the base of the faucet by sliding it over the mounting nipple and supply hoses. Make sure the o-ring is positioned in its seat in the escutcheon.
 - Place the faucet in the hole, orient- ing the spout towards the sink bowl with the handles in position to rotate forward.



All Point of Use faucets:

10. Install Mounting Washer and Mounting Nut as shown.

11. Connect the black 3/8" poly-tubing from the faucet to the filtration system. If you decide not to utilize a filtration system with your LB1_100 series faucet, you must provide a connection for the black 3/8" poly-tube to the home's cold water supply.

12. Connect the high temp silicone tubing to the mounting nipple and secure the tubing using the hose clip.

13. The 1/4" red poly tubing & silicone tubing provided with the faucet are intended to be longer than will be necessary to make the connections to the heating tank. It is recommended to cut these tubes to the proper length to remove any unnecessary loops or low spots in the tubing after installed. Connect the red 1/4" Heating Tank Supply Tubing to the heating tank inlet and the high temp silicone Heating Tank Return Hose to the heating tank outlet per the instructions provided with the heating tank.

