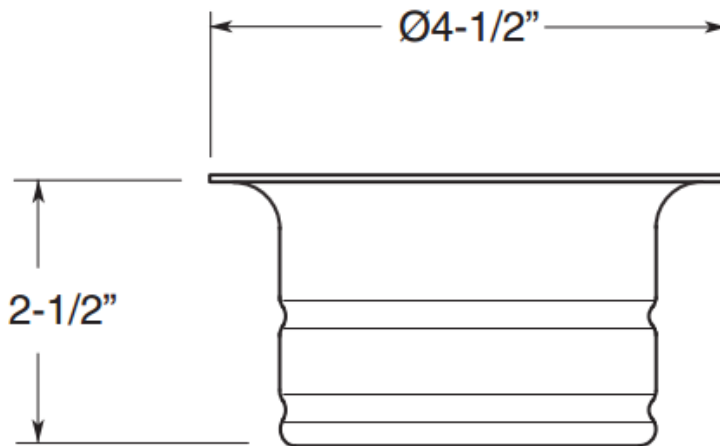
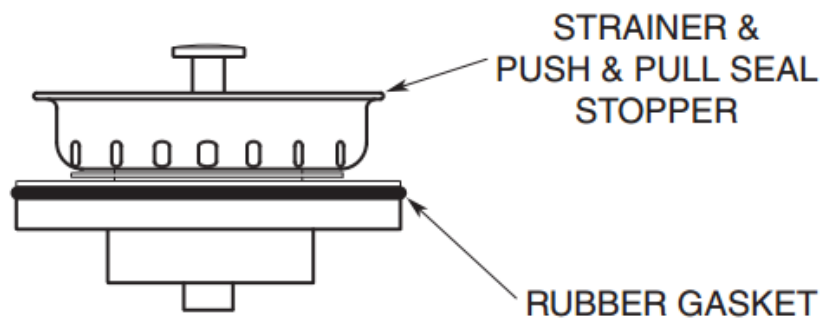




# PRODUCT SPECIFICATIONS

May 2015

Kitchen Drain  
SF-11-362



- Use mounting hardware included with your ISE disposal
- 2" Maximum sink thickness
- Fits 3-1/2" to 4" diameter holes
- Custom finishes available
