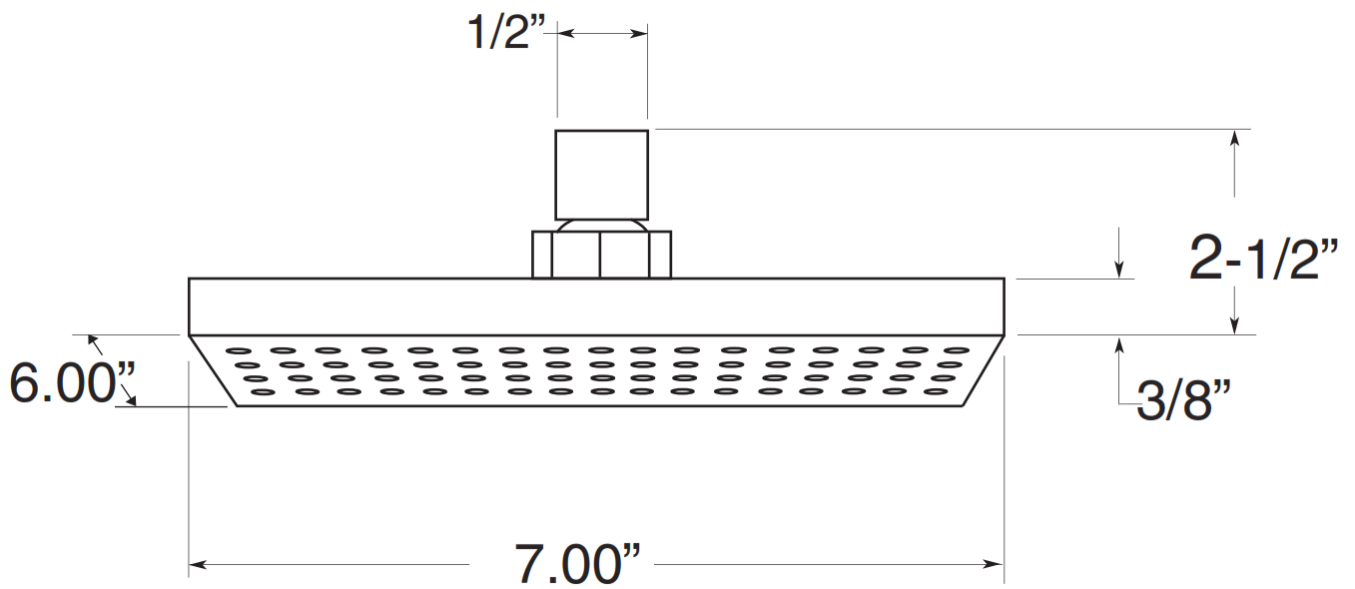
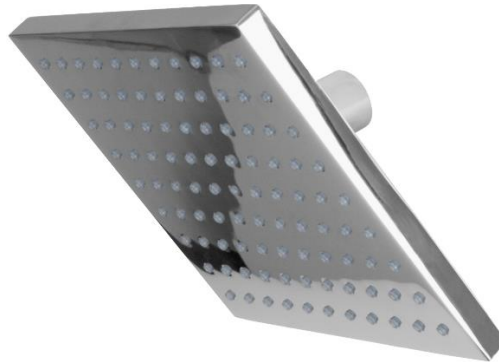




PRODUCT SPECIFICATIONS

6" x 7" Shower Head
SF-SHW-10-037

Dec 2020



- ADA Compliant
- Custom finishes available

Connection	1/2"
GPM	1.8