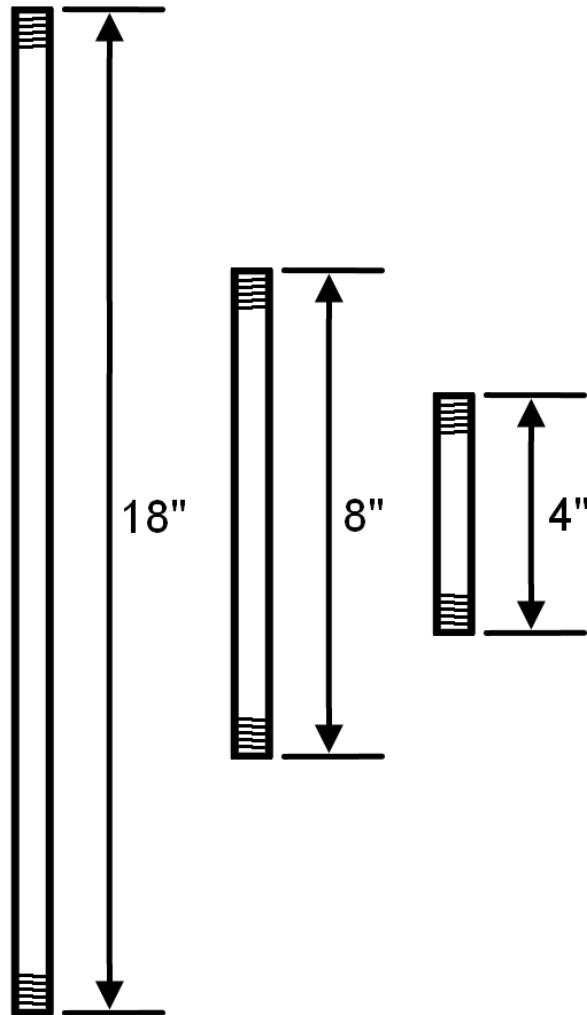




PRODUCT SPECIFICATIONS

Mar 2017

1/2" Shower Necks
SF-SHW-10-(154. 140. 146)



- For use with 1/2" shower heads
- Flange part # SF-SHW-10-102
- Custom finishes available

| Connection | 1/2" NPT |
|------------|----------|
| | |
| | |
| | |
| | |