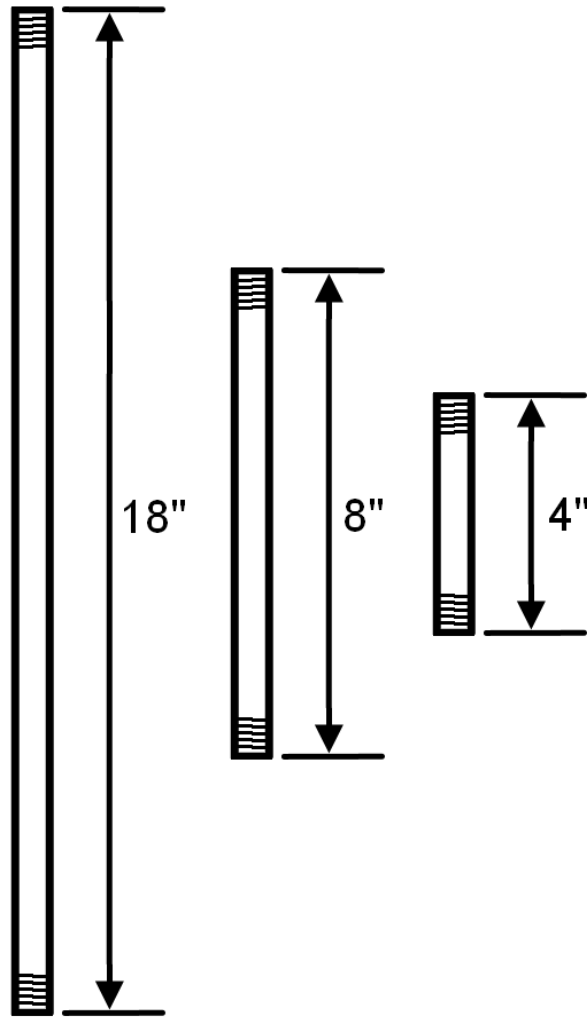




PRODUCT SPECIFICATIONS

Mar 2017

3/4" Shower Necks
SF-SHW-10-(156, 143, 144)



- For use with 3/4" shower heads
- Flange part # SF-SHW-10-100
- Custom finishes available

Connection	3/4" NPT