



PRODUCT SPECIFICATIONS

Remote Tub Drain and Overflow WB-RTDO

Jun 2020



Grid Drain



- Overflow height adjustable from 19" to 23", or 25-1/2" max.
- Includes standard tub grid drain
- Custom sizes and finishes available

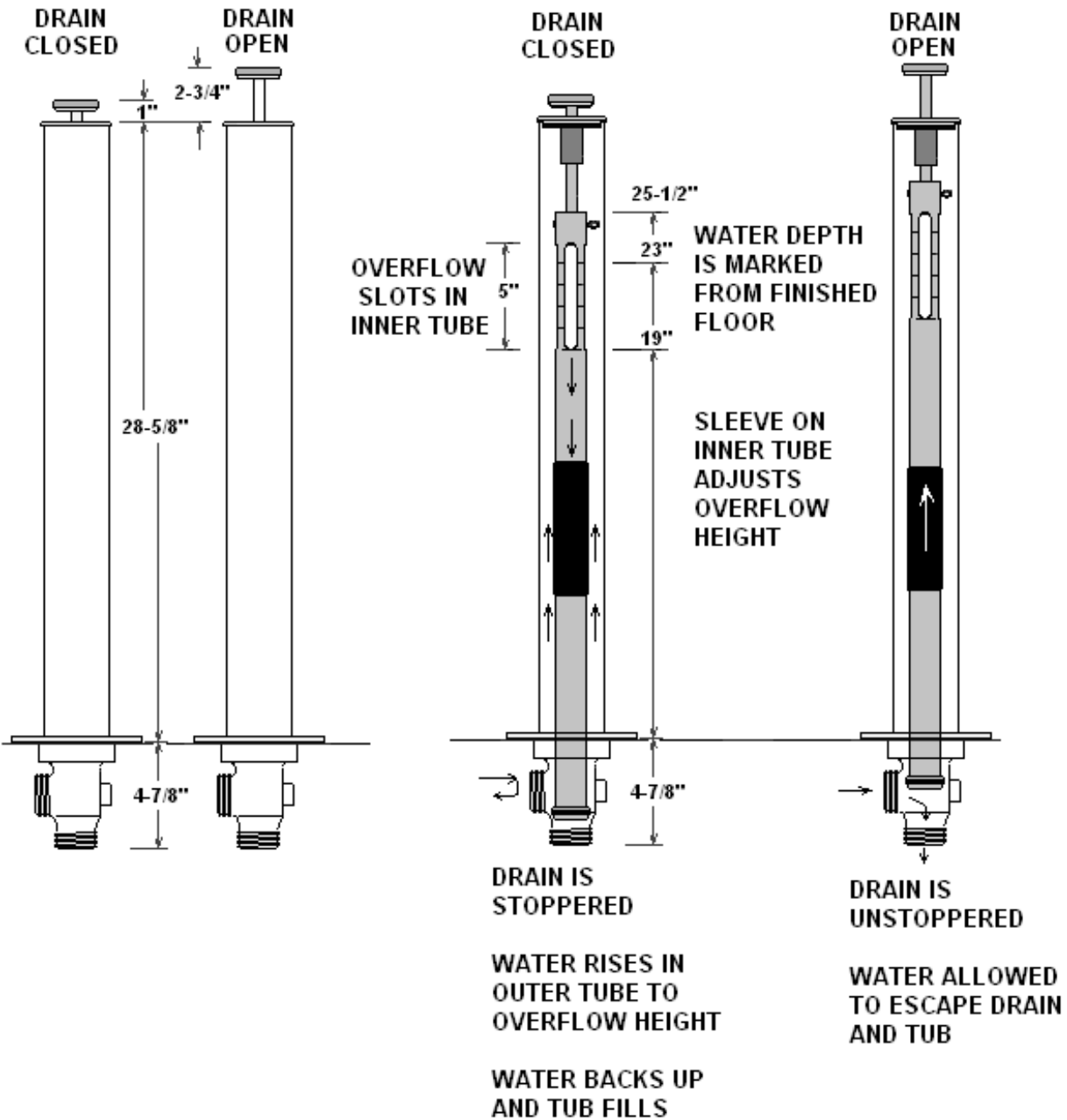
Connection	1-1/2" Slip Joint



PRODUCT SPECIFICATIONS

Remote Tub Drain and Overflow WB-RTDO

Jun 2020

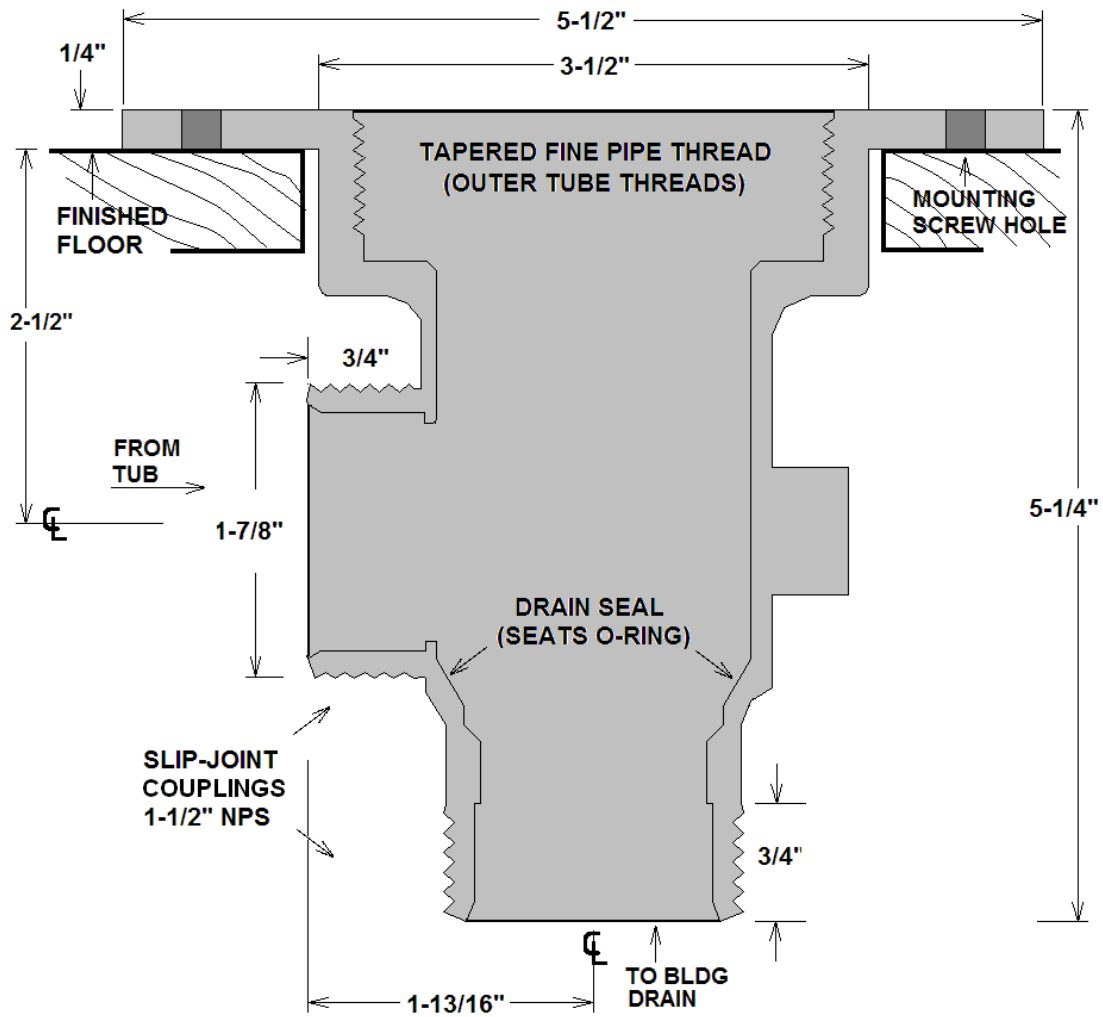




PRODUCT SPECIFICATIONS

Remote Tub Drain and Overflow WB-RTDO

Jun 2020





PRODUCT SPECIFICATIONS

Remote Tub Drain and Overflow WB-RTDO

Jun 2020

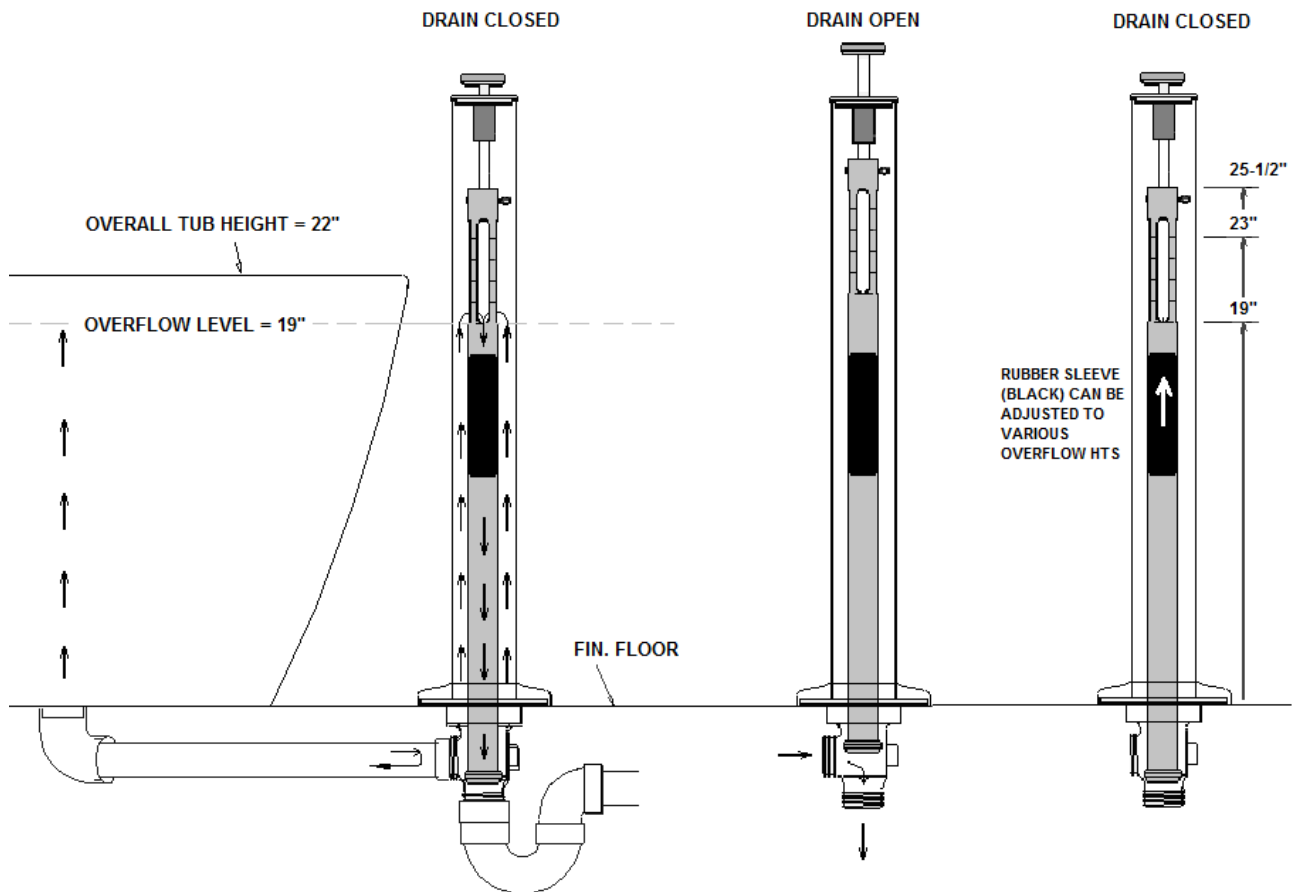
GENERAL THEORY OF OPERATION

The WB RTDO is essentially a “tube within a tube.” The inner tube acts as the drain stopper operated by the knob at the top of the fixture. Its position controls whether the water is allowed to drain or fill the tub.

To stopper the tub, turn the control knob to lower the “inner tube.” In the “down” position - the drain is closed, forcing the water to fill up the tub. As the water fills in the tub, it also fills the “outer tube” of the RTDO.

Note: Water seeks its own level – in effect, the fixture can be positioned anywhere on the same level, and does not need to be directly adjacent to the tub.

Water will continue to fill the tub until it reaches the overflow level preset on the RTDO. At that point, any excess water will overflow into holes in the inner tube, and down the drain.



To drain the tub, simply lift and turn the Control Knob up until it rests in that position.

Adjustment to the overflow level can be made by sliding the rubber sleeve on the inner tube up or down. There are marks every inch on the inner tube for reference. These are measured from the bottom of the floor flange. Factory setting is in the lowest position (19”; shown in diagram above).



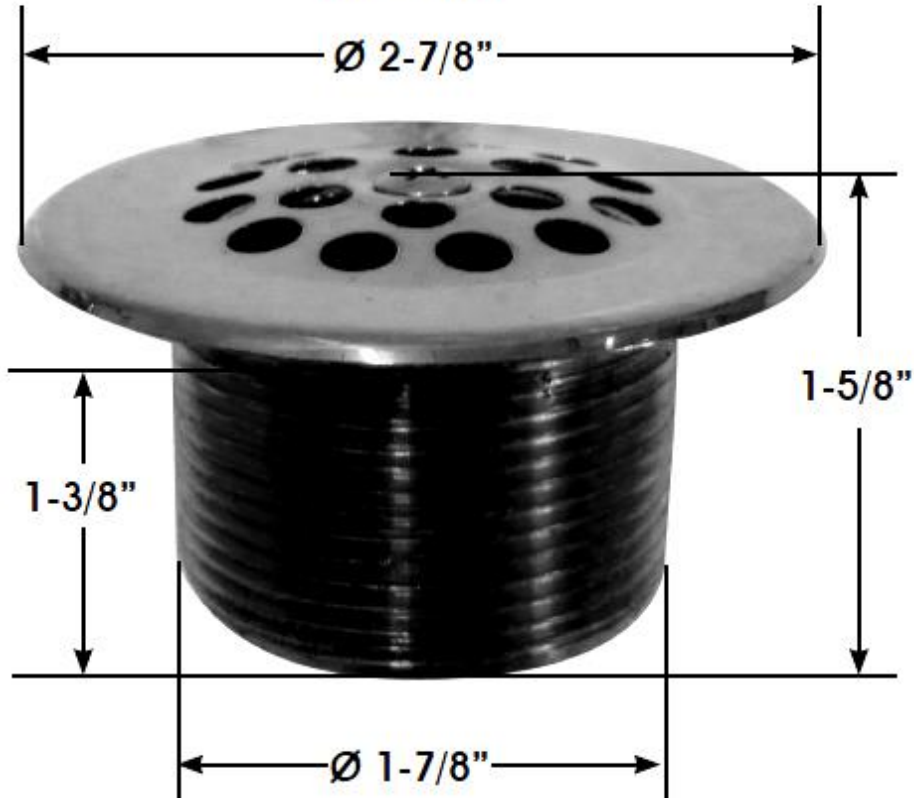
PRODUCT SPECIFICATIONS

Remote Tub Drain and Overflow
WB-RTDO

Jun 2020

Tub Grid Drain
SF-11-269

SIDE VIEW



- Custom sizes and finishes available

Connection	1-1/2"