

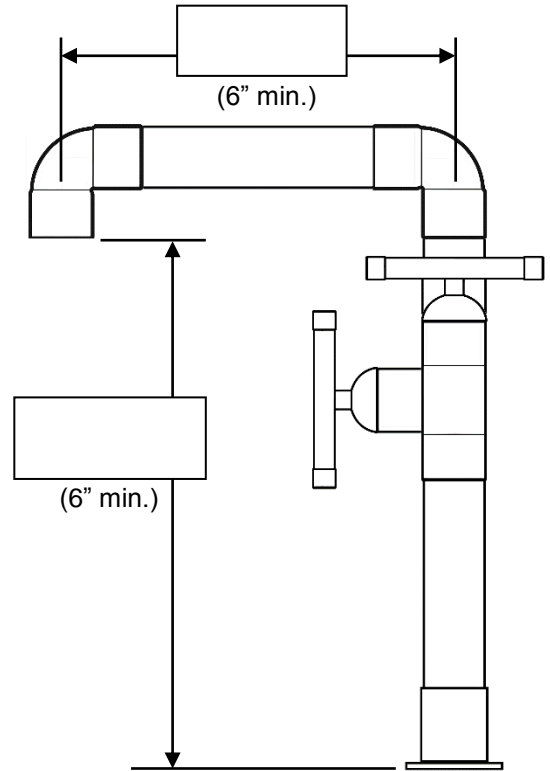
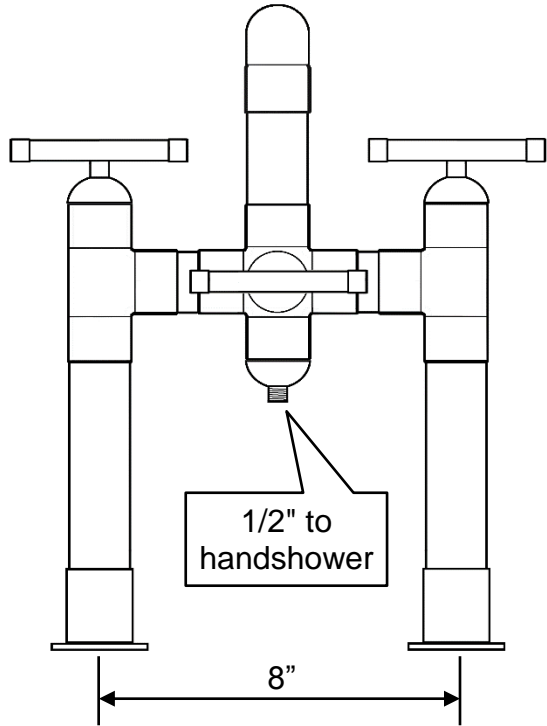


PRODUCT SPECIFICATIONS

Waterbridge Tub Filler with Elbow Spout & Handshower

May 2018

WB-RTF-DM-LBO-HS



- ADA Compliant
- Custom finishes available

Connection	3/4" NPT
GPM	8



PRODUCT SPECIFICATIONS

Waterbridge Tub Filler with Elbow Spout & Handshower

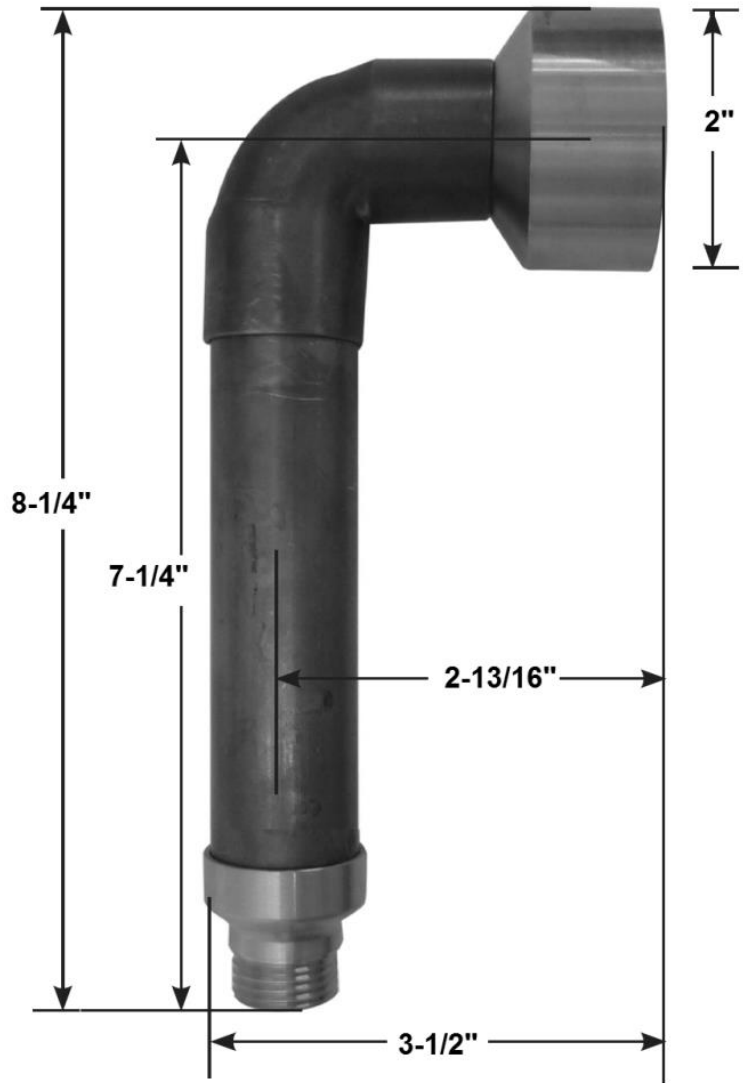
May 2018

WB-RTF-DM-LBO-HS



59" FLEXIBLE HOSE

WATERBRIDGE
HAND WAND



CLAMP FOR
HAND WAND

