

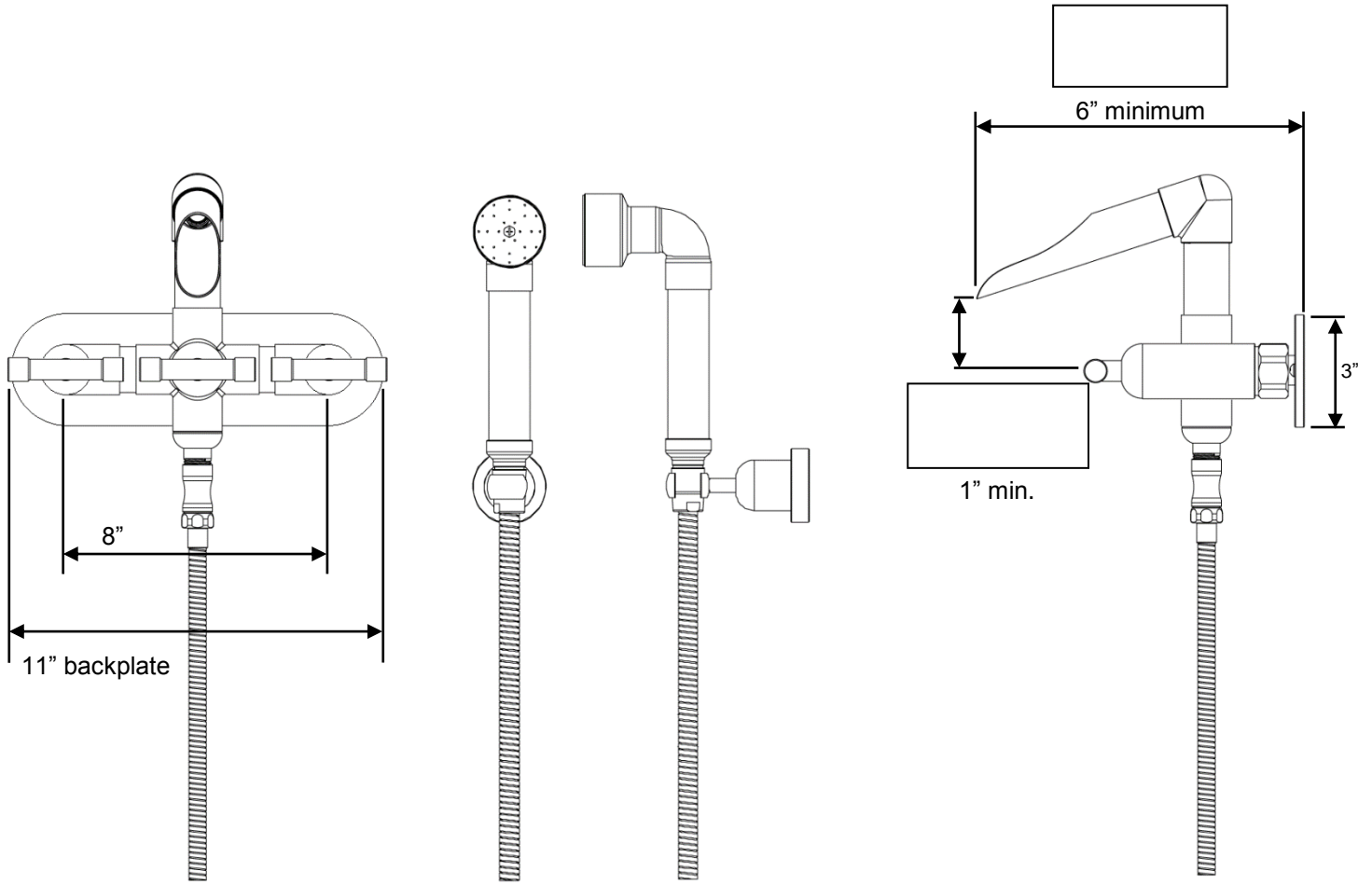


PRODUCT SPECIFICATIONS

Waterbridge Wall Mounted Tub Filler with Waterfall Spout

WB-RTF-WM-WF-HS

Jul 2018



- Fill in the boxes with desired dimensions
- Cross handles available
- Custom finishes available

Connection	1/2" Compression
Valve	1/2" Ceramic
GPM	1.8 / 8.0