

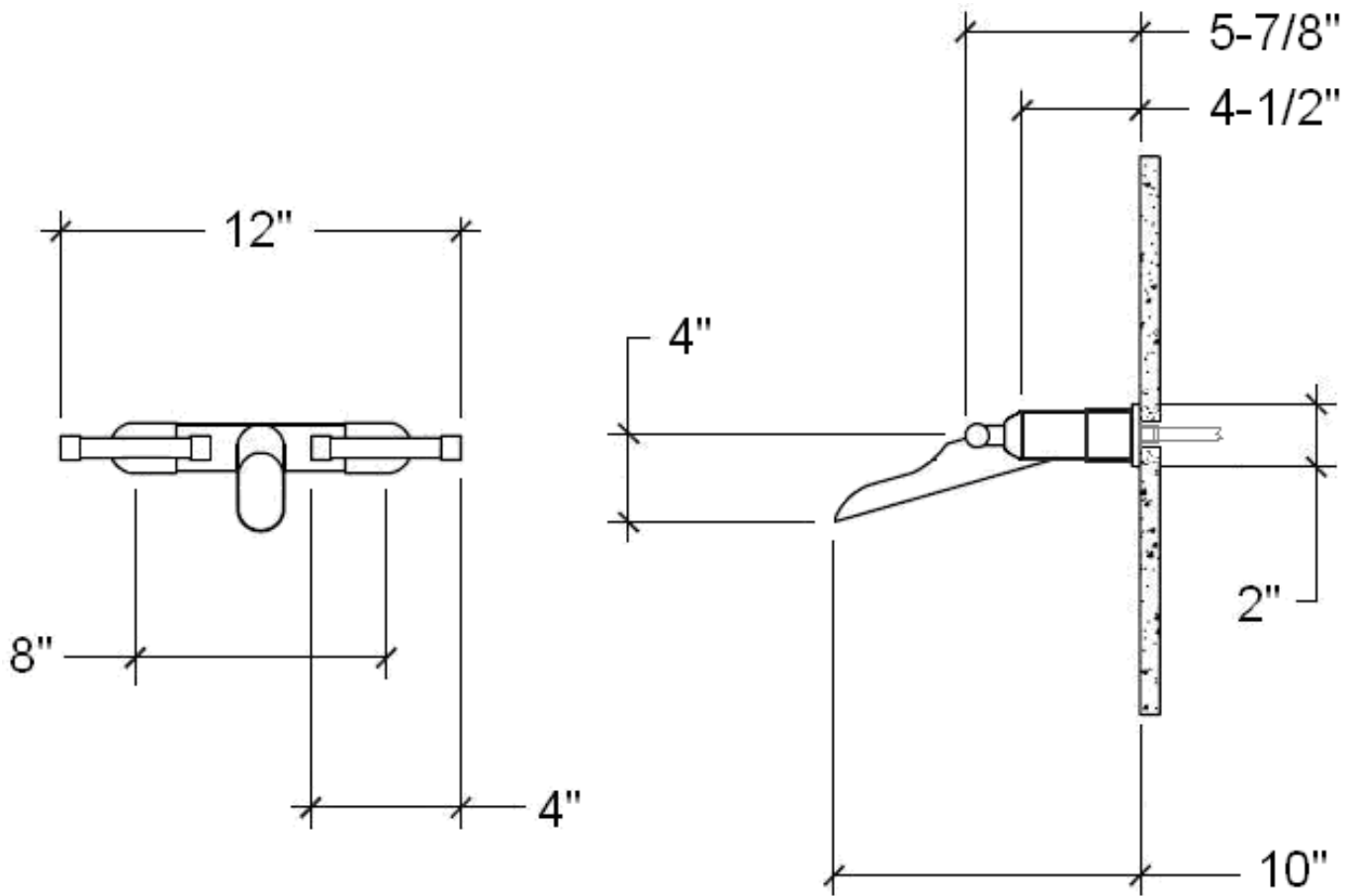


PRODUCT SPECIFICATIONS

Waterbridge Wall Mounted Tub Filler with Waterfall Spout

Mar 2023

WB-RTF-WM-WF



- ADA Compliant
- Cross handles available
- Custom sizes and finishes available

Connection	1/2" Copper
Valve	3/4" Ceramic
GPM	10