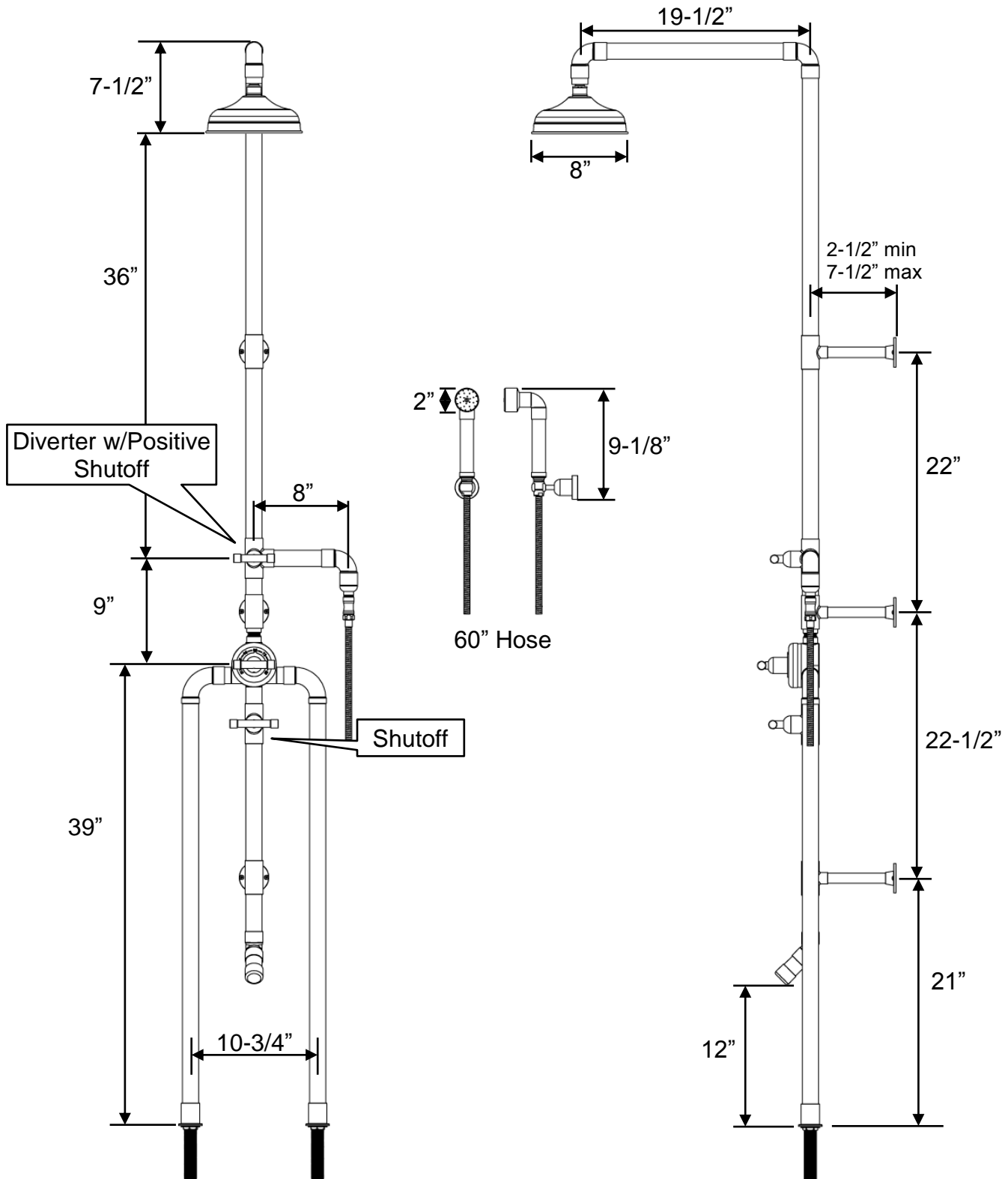




# PRODUCT SPECIFICATIONS

## Waterbridge Exposed Shower WB-SHW-1180

Feb 2018



- Dimensions apply to systems produced after Jan. 1<sup>st</sup>, 2018
- ADA Compliant
- Custom dimensions and finishes available

Connection	3/4" NPS
GPM	2.0