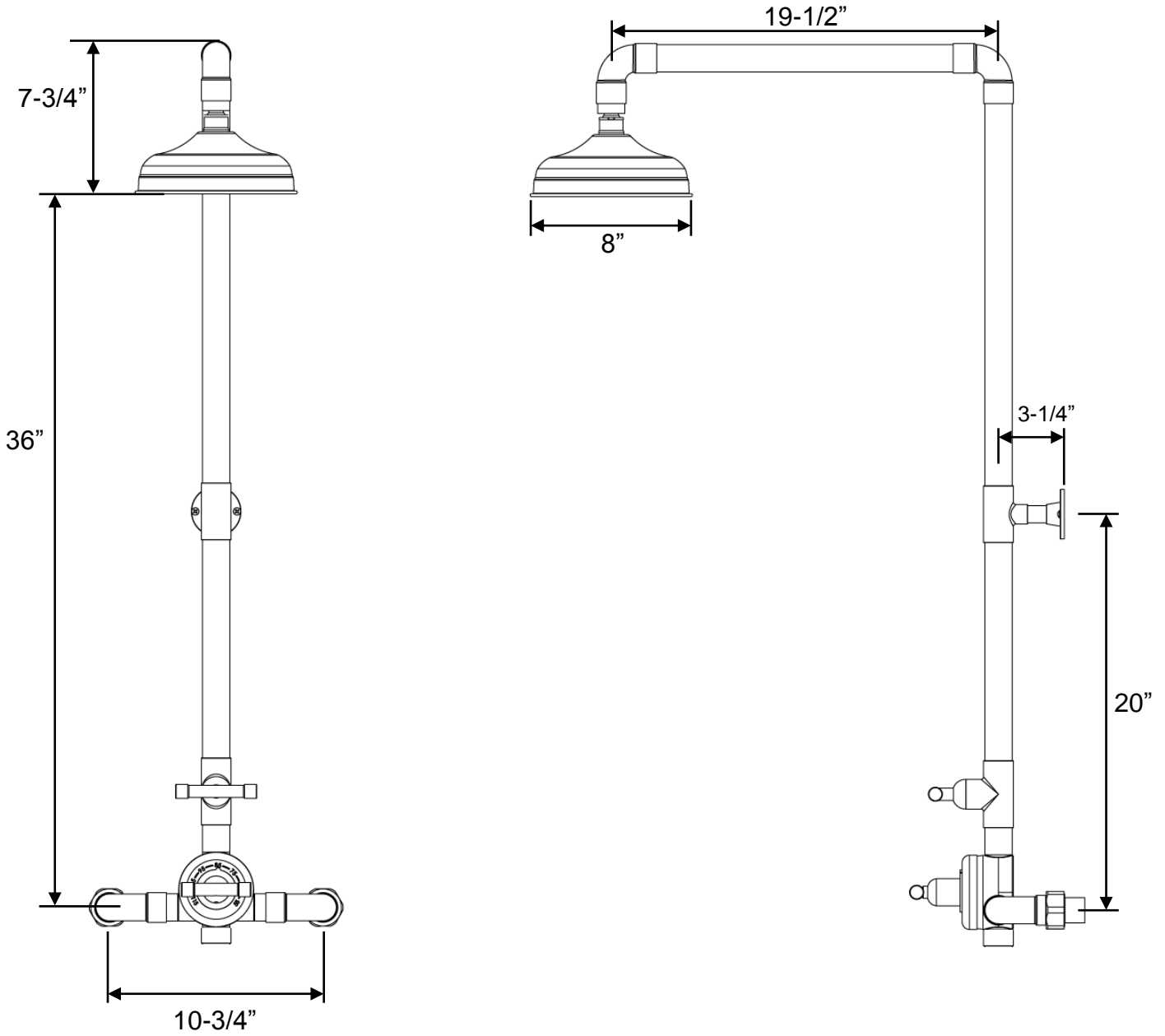




# PRODUCT SPECIFICATIONS

## Waterbridge Thermostatic Exposed Shower WB-SHW-940

Feb 2018



- ADA Compliant
- Cross handles available
- Custom sizes and finishes available

Connection	3/4" FIP
GPM	2.0