

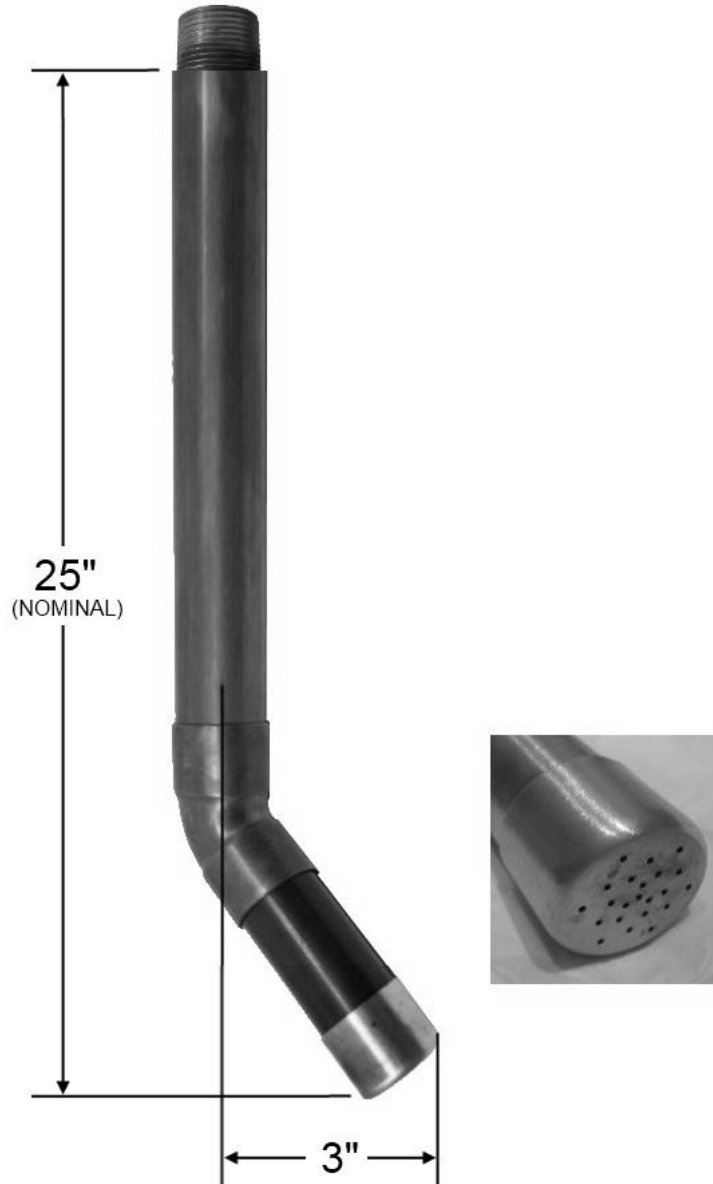


# PRODUCT SPECIFICATIONS

## Footwash Spray Option for Waterbridge Wall Showers

Jan 2014

WB-SHW-FTWSH-2



- Made specifically for Waterbridge 870 & 880 Exposed Showers
- Custom sizes and finishes available

Connection	3/4" NPT