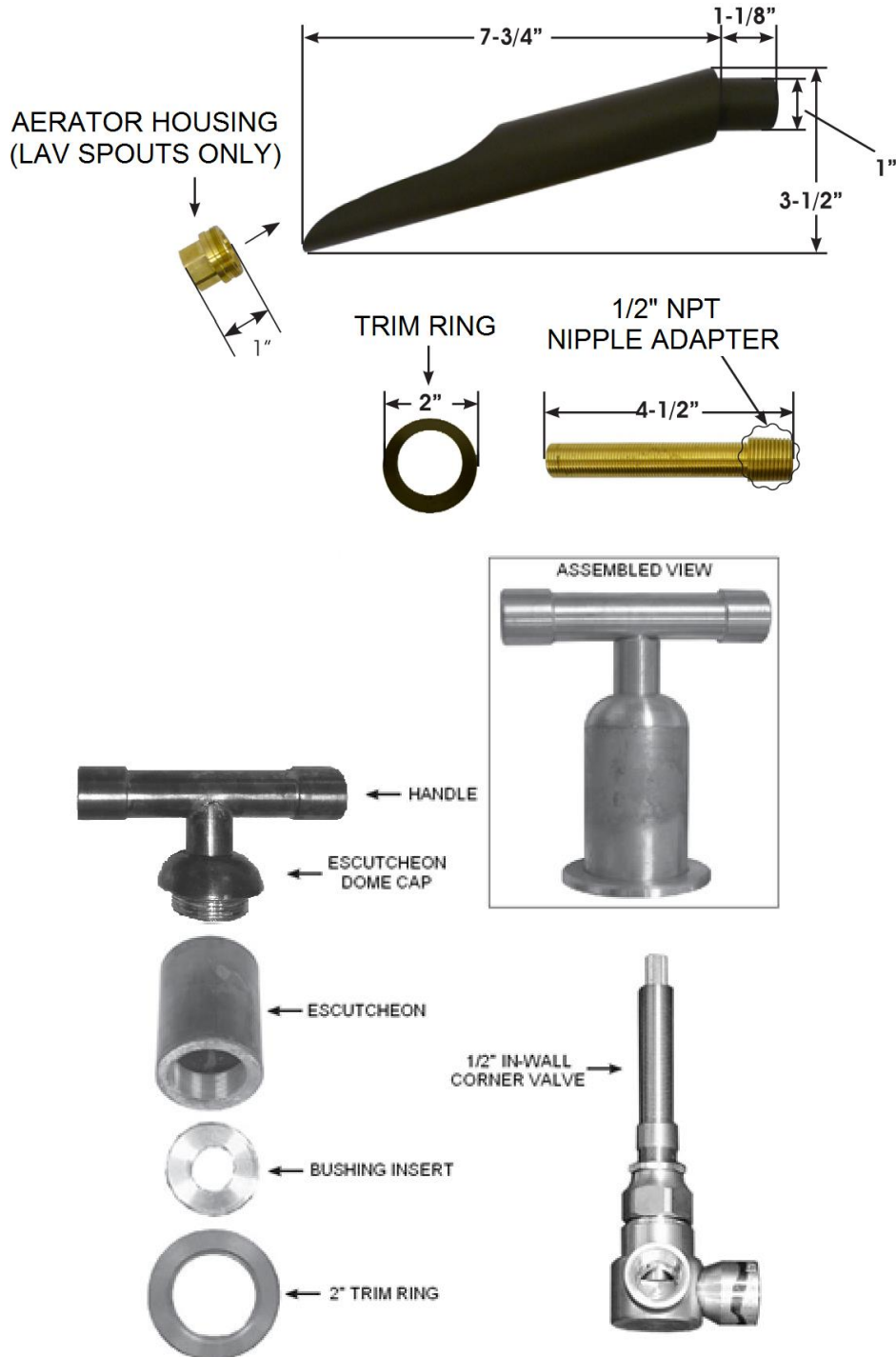




INSTALLATION GUIDE

Wherever Wall Faucet with Waterfall Spout
WE-LAV-WM-WF

Feb 2015



- ADA Compliant
- Includes Lift & Turn drain with overflow
- Offset and Cross handles available
- Custom sizes and finishes available

Connection	1/2" NPT
Valve	1/2" Ceramic
GPM	1.5



INSTALLATION GUIDE

Wherever Wall Faucet with Waterfall Spout WE-LAV-WM-WF

Feb 2015

1. Rough in the supply for the Spout. Only use the rough supplied with the spout. For added strength, a brace between studs should be installed to anchor the roughs. Do not cut the supplied nipple adapter until ready to install the spout.
2. When closing the wall, a 1" round hole should be left around the spout nipple adapter. A 2" trim ring will cover any gap between the nipple and hole in the wall.
3. Install the spout onto the nipple and make note of how deep the threads sit into the spout.
4. Remove the spout and cut the nipple to 5/8" inside the finished wall.
5. Reinstall the nipple adapter using a 5/16" Allen wrench through the center, then screw on the spout. Do not use any kind of wrench when installing the spout. Double-check your work before adding Teflon tape.
6. Supply the spout with the output of the valves. Flush the line of debris.
7. Installing the volume controls. As noted, the valves may be placed anywhere, for deck mount or wall mount operation:
 - a. Valve stems should be installed with 2-1/4" exposed from the wall.
 - b. At least 1/2", and no more than 1-3/4" of the all-thread should be exposed from wall.
8. Access holes for the valve stems in finished wall should be 5/8" - 7/8". 2" trim rings cover the gaps between the valve stems and holes in wall.
9. Install the trim. Remember to place the trim ring on the valve stem before the escutcheon. Screw on the escutcheon with handle "clocked" in the desired position when it engages the valve