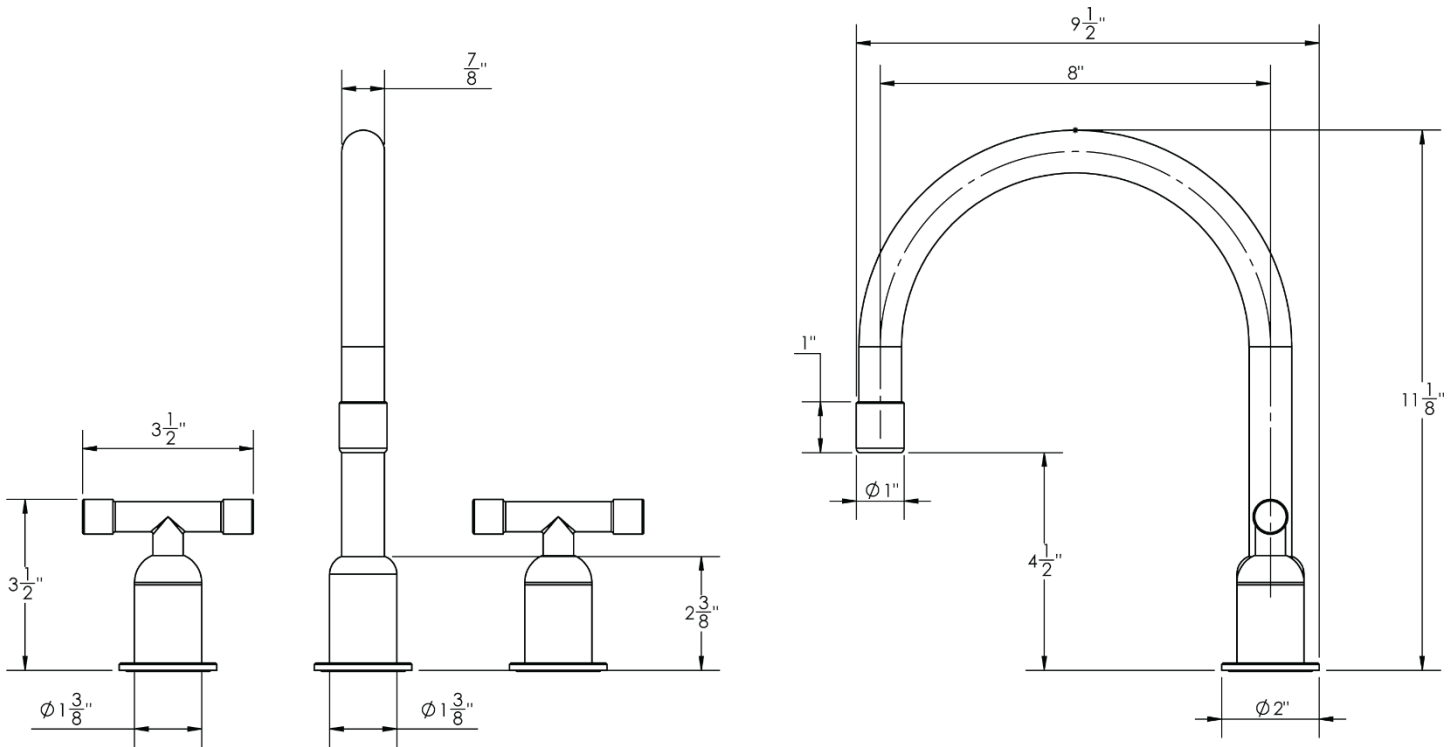
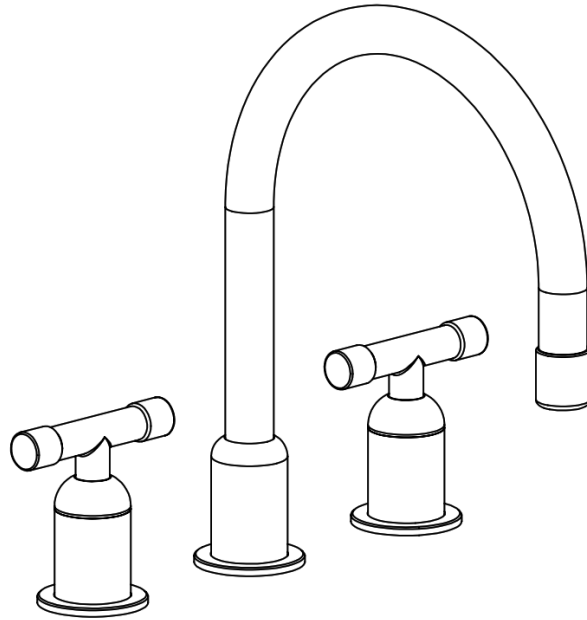




PRODUCT SPECIFICATIONS

Wherever Tub Filler with Gooseneck Spout
WE-RTF-DM-GN

Aug 2024



- ADA Compliant
- Cross handles available
- Custom finishes available

Connection	3/4" NPT
Valve	3/4" Ceramic
GPM	8